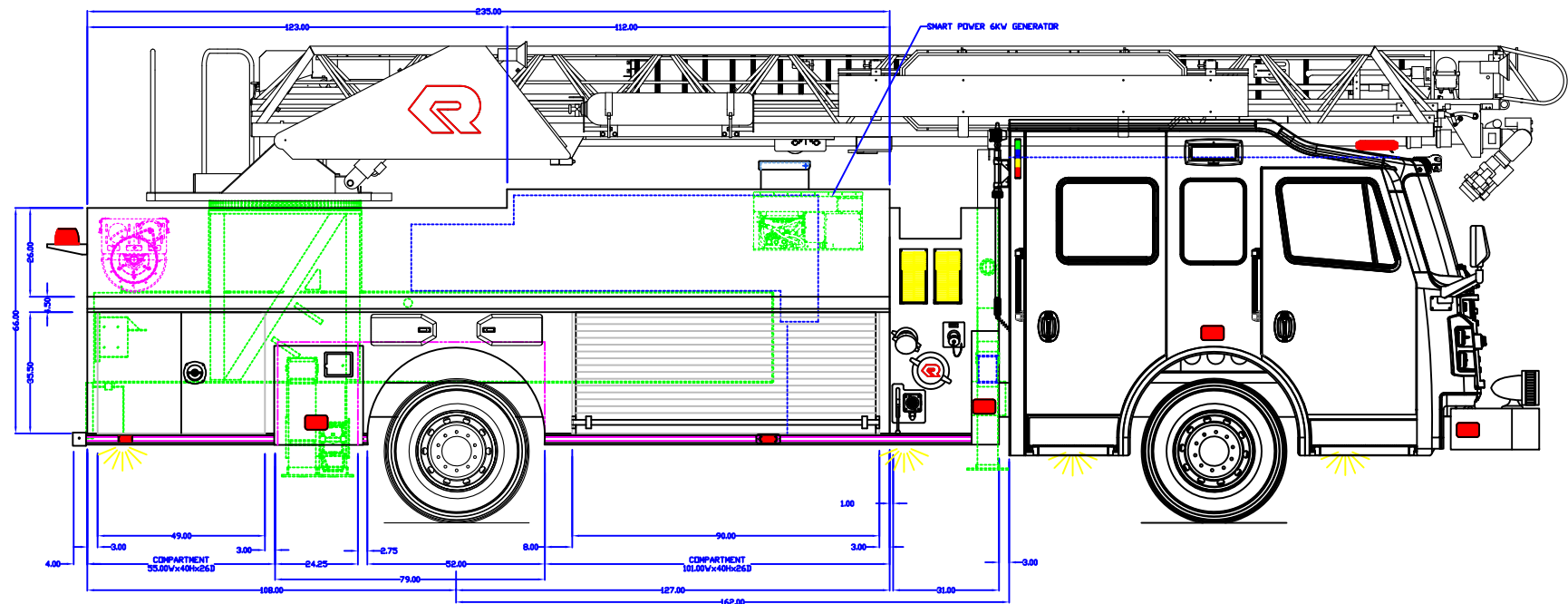
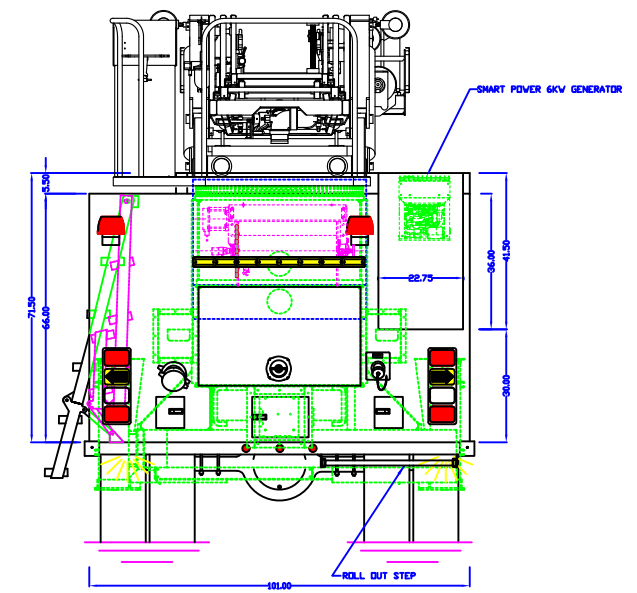
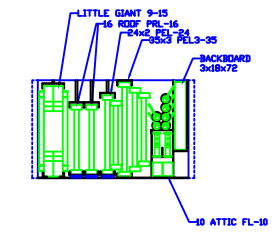
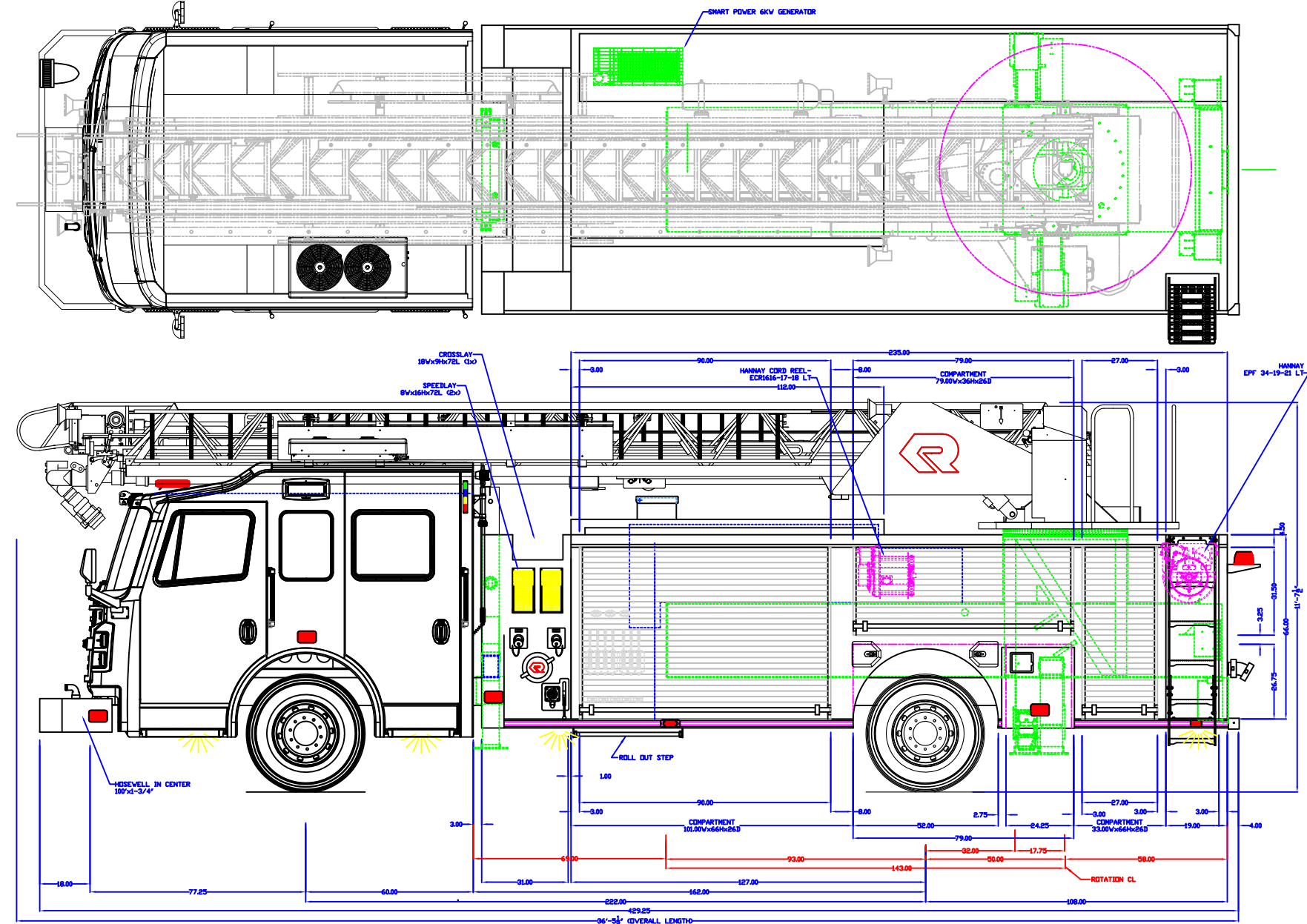


- NOTES:
1. OVERALL HEIGHT IS IN LOADED CONDITION. UNLOADED HEIGHTS MAY BE 4" ABOVE HEIGHTS SHOWN.
 2. DO NOT SCALE DRAWING.
 3. ALL DIMENSIONS ARE APPROXIMATE AND SUBJECT TO ENGINEERING CHANGES.
 4. DRAWING MAY OR MAY NOT SHOW ALL ITEMS AS DESCRIBED IN THE WRITTEN DETAIL SPECIFICATIONS.
 5. INCLUSION OF AN ITEM ON THE DRAWING DOES NOT CONSTITUTE INCLUSION OF THAT ITEM WITH THE FINAL DELIVERED UNIT.



OK FOR PRODUCTION
 INITIALS: FG
 JOB NUMBER: 7395
 DATE: 3-4-15

MAIN FILE: -
 DEPT: -
 DEALER: -
PRODUCTION APPROVED

REVISED: TEK DATE: 3-4-15
 REVISED: TEK DATE: 10-7-14
 DRAWN: TEK DATE: 10-1-14

PROPRIETARY AND CONFIDENTIAL
 THE INFORMATION CONTAINED IN THIS DRAWING IS
 THE SOLE PROPERTY OF ROSENBAUER. ANY
 REPRODUCTION IN PART OR AS A WHOLE WITHOUT
 THE WRITTEN PERMISSION OF ROSENBAUER IS
 PROHIBITED.

APPROVED BY:	
CHASSIS:	ROSENBAUER COMMANDER
PUMP:	ROSENBAUER 1500 GPM
TANK:	POLY/480/20 FOAM
PANEL MATL:	BLACK THERMO
COMP INTERIOR:	SWIRL FINISH
MAXIMUM HEIGHT	NONE
MAXIMUM LENGTH	NONE
BODY WIDTH	101"

DACO FIRE MP3 78' VIPER