

Helmets



March 1, 2019



Please join us in supporting the National Fallen Firefighters Foundation.
Visit <http://www.firehero.org> to learn more.

BENEFIT FROM LION'S QUALITY PROCESS

Throughout its 100-year plus history, LION has dedicated itself to providing quality products and services to its valued customers. Quality doesn't just happen by talking about it — it takes quality people using a quality process. That's why LION went through the expense and effort to become ISO 9001 registered and to maintain that certification.

A REAL COMMITMENT TO QUALITY PRODUCTS AND SERVICES

What does ISO 9001 registration mean? ISO is short for the International Organization for Standardization. It promotes the development of standards, testing and certification to encourage the real *commitment* to quality products and services. In order for a company to become registered as an ISO 9001-compliant firm, it must pass a strict evaluation of its product development, manufacturing, quality and documentation processes by a qualified independent third-party registrar. It is analogous to Underwriters Laboratory certifying the performance of protective clothing to NFPA Standards. Registration certifies compliance to the quality process based on observed evidence as opposed to the performance testing of a garment. The audits are rigorous, inflexible and are conducted on a "follow-up" inspection basis, as well.

CONSISTENCY AND RELIABILITY IN EVERY STEP

ISO 9001 registration is proof-positive that LION is committed to continuous improvement of all procedures relating to meeting customer expectations. The process requires LION to formalize and document each and every step by which they design and manufacture protective clothing, and the processes used to respond to complaints, questions, suggestions and ... of course ... the occasional error. The result is consistency and reliability in every step of every piece of protective clothing. Each garment is cut and sewn the same way and the customer gets the same product regardless of who performed the work.

RESPONSIVE TO CUSTOMER CONCERNS

Because it covers the design process, ISO 9001 is a more stringent registration. It requires the manufacturer to listen to customer feedback and take action. LION has a Quality Review Board that meets regularly to formally review customer feedback. A team member is assigned the responsibility of investigating the concern or suggestion from a customer and recommending a course of corrective action.

The process also requires LION's suppliers to be accountable by documenting their quality criteria and the corrective actions taken in case a material or product fails the criteria.



LION
CERTIFIED TO ISO 9001: 2015
10001779 QM15

Table of Contents

LION Fire Helmets

Traditional-Style Fire Helmets	
American Heritage™	4
American Classic™	4
American Legend™ X.....	5
American Legend™	5
Modern-Style Fire Helmets	
Legacy 5™	6

LION Rescue Helmets

Liberator™ Rescue Helmets	
Liberator	6

LION Proximity Helmets and Components

Proximity Helmet Ensembles.....	7
J-Fire Helmet Ensembles.....	7
In-Stock Individual Proximity Components.....	7

Replacement Parts

Traditional-Style Helmets Replacement Parts and Accessories	
American Heritage and American Classic.....	8-10
American Legend X.....	11-12
American Legend	11-12
Modern-Style Helmets Replacement Parts and Accessories	
Legacy 5	13-14
Rescue Helmets Replacement Parts and Accessories	
Liberator	13-14

2019 LION Customer Policies

2019 LION Customer Policies — Terms/Warranty	15-18
---	-------

Lot/Part Number Index	19-21
-----------------------------	-------

Customized fit ... optimum comfort

LION Helmets™ are engineered from a firefighter's perspective. We combine the time-honored traditions of the fire service with the latest technical advancements in materials, design and manufacturing. The result is a helmet that's light and comfortable, but provides optimum heat and impact resistance.

We believe America's bravest deserve the best. That's what you get with a LION helmet. From the traditional-style American Classic and Heritage, to the sleek modern-style Legacy 5, to the Liberator rescue helmet, we pay attention to all the design and manufacturing details that are essential in delivering the performance you want and deserve. As a result, every LION helmet model offers optimum comfort, fit and safety.

Online warranty registration

Taking advantage of warranty protection has never been easier! You can now register your LION Helmets purchases quickly and easily over the internet at <http://www.lionprotects.com/helmet-warranty-registration>. The short online form also gives you the opportunity to give valuable feedback about the quality of our products and service.

We solicited feedback via warranty registration cards long before our certification to ISO 9001 required us to do so. While the warranty registration cards fulfilled our ISO requirement, you had to fill out the card by hand and mail it back to us. We believe that you will find online registration more convenient.

Look for the warranty registration information that is printed on every LION fire helmet User Instruction, Safety and Training Guide. It reminds you to register your new helmet and where to find our warranty registration page.

Your feedback helps us to deliver LION Helmets that are the best in comfort, safety and durability.

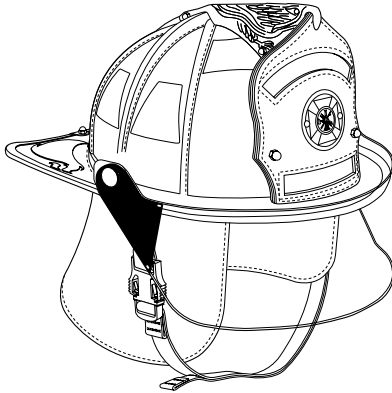


Traditional-Style Fire Helmets



3M Scotchlite[®]
Reflective Material
DuPont[™]
Nomex

COMFORTABLE AND DURABLE NFPA 1971 COMPLIANT TRADITIONAL-STYLE LEATHER HELMET



American Heritage with Faceshield

American Heritage™

Lot No.

LeatherGlas™ helmet shell with black Nomex® flannel ear covers, 3M™ Scotchlite™ Reflective Material solid lime-yellow trapezoids, headband cushioned with foam and covered with leather and brass eagle shield holder.

American Heritage with 4" Faceshield and Thumbwheel Adjustments (Requires 6" Front)

LFH4120E (All Colors)

American Heritage with ESS FirePro 1971™ Goggles (Requires 6" Front)

LFH4120S (All Colors)

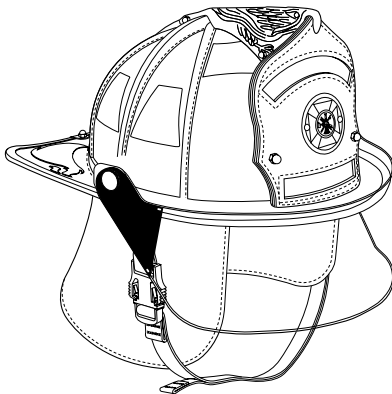
American Heritage with ESS FirePro 1971 Goggles and Flip Down Eye Shields (Requires 6" Front)

LFH4120D (All Colors)

American Heritage with Flip Down Eye Shields* (Requires 6" Front)

LFH4120F (All Colors)

COMFORTABLE AND DURABLE NFPA 1971 COMPLIANT TRADITIONAL-STYLE FIBERGLASS HELMET



American Classic with Faceshield

American Classic™

Lot No.

RTM helmet shell with black Nomex flannel ear covers, 3M Scotchlite Reflective Material solid lime-yellow trapezoids, headband cushioned with foam and covered with black knit Nomex and brass eagle shield holder.

American Classic with 4" Faceshield and Metal Thumbwheel Adjustments (Requires 6" Front)

LFH2120E (Standard Colors)

Blue, Orange, Green

Custom Color

Call for Quote

American Classic with ESS FirePro 1971 Goggles (Requires 6" Front)

LFH2120S (Standard Colors)

Natural, Orange

Custom Color

Call for Quote

American Classic with ESS FirePro 1971 Goggles and Flip Down Eye Shields (Requires 6" Front)

LFH2120D (Standard Colors)

Natural, Orange

Custom Color

Call for Quote

American Classic with Flip Down Eye Shields* (Requires 6" Front)

LFH2120F (Standard Colors)

Natural, Orange

Custom Color

Call for Quote

Color style numbers

Standard colors: yellow (Style 1), black (Style 2), white (Style 3) and red (Style 4).

Non-Standard colors: blue (Style 5), orange (style 6) and green (Style 7.)

Note: Yellow, black, red, blue, orange and natural Leather helmets have black stitching and black edge trim. White Leather helmets have white stitching and white edge trim.

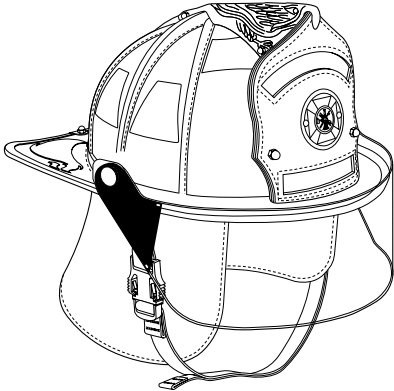
* Flip down eye shields are not NFPA compliant eye/face protection.



Traditional-Style Fire Helmets

3M Scotchlite™
Reflective Material
DuPont™
Nomex.

COMFORTABLE AND DURABLE NFPA 1971 COMPLIANT TRADITIONAL-STYLE FIBERGLASS HELMET



American Legend X with Faceshield

American Legend™ X

Lot No.

SMC helmet shell with black Nomex® flannel ear covers, 3M™ Scotchlite™ Reflective Material solid lime-yellow trapezoids, headband cushioned with foam and covered with black knit Nomex and brass eagle shield holder.

American Legend X with 4" Faceshield and Metal Thumbwheel Adjustments (Requires 6" Front)

LFH8120E (Standard Colors)

American Legend X with ESS FirePro 1971™ Goggles (Requires 6" Front)

LFH8120S (Standard Colors)

American Legend X with ESS FirePro 1971 Goggles and Flip Down Eye Shields (Requires 6" Front)

LFH8120D (Standard Colors)

American Legend X with Flip Down Eye Shields* (Requires 6" Front)

LFH8120F (Standard Colors)

COMFORTABLE AND DURABLE NFPA 1971 COMPLIANT TRADITIONAL-STYLE FIBERGLASS HELMET



American Legend with Integrated Goggles

American Legend

Lot No.

SMC helmet shell with black Nomex flannel ear covers, 3M Scotchlite Reflective Material solid lime-yellow trapezoids, headband cushioned with foam and covered with black knit Nomex, a brass eagle shield holder and an integrated face shield.

American Legend with Integrated Goggles

LFH9120I (Standard Colors)

Color style numbers

Yellow (Style 1), black (Style 2), white (Style 3) and red (Style 4).

* Flip down eye shields are not NFPA compliant eye/face protection.

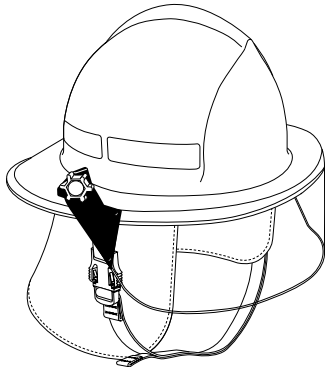


Modern-Style Fire Helmets



3M Scotchlite™
Reflective Material
DuPont™
Nomex®

COMFORTABLE, LIGHTWEIGHT AND DURABLE NFPA 1971 COMPLIANT MODERN-STYLE FIBERGLASS HELMET



Legacy 5 with Faceshield

Legacy 5™

Lot No.

RTM helmet shell, impact cap, yellow Nomex® flannel ear covers, 3M™ Scotchlite™ Reflective Material 1" x 4" solid lime-yellow bars, headband cushioned with foam and covered with black knit Nomex.

Legacy 5 with Spring-Loaded Safety-Set® Brackets, WaterGuard® Faceshield Seal and 4" Faceshield

LFH3910A (Standard Colors)
Orange, Green
Custom Color Call for Quote

Legacy 5 with 4" Faceshield, Plastic Thumbwheel Adjustments

LFH3910E (Standard Colors)
Orange, Green
Custom Color Call for Quote

Legacy 5 with 4" Faceshield, Metal Thumbwheel Adjustments

LFH3910M (Standard Colors)
Orange, Green
Custom Color Call for Quote

Legacy 5 with ESS FirePro 1971™ Goggles

LFH3910S (Standard Colors)
Orange, Green
Custom Color Call for Quote

Legacy 5 with 4" Faceshield, Thumbwheel Adjustments and ESS FirePro 1971 Goggles

LFH3910T (Standard Colors)
Orange, Green
Custom Color Call for Quote

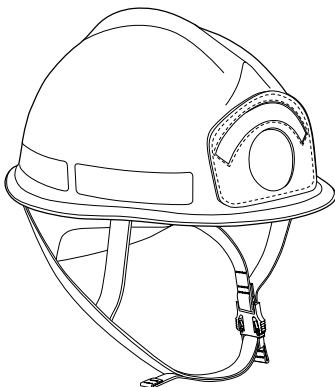


Liberator™ Rescue Helmets



3M Scotchlite™
Reflective Material
DuPont™
Nomex®

COMFORTABLE, LIGHTWEIGHT AND DURABLE NFPA 1951 COMPLIANT RESCUE-STYLE FIBERGLASS HELMET



Liberator Rescue Helmet

Liberator

Lot No.

RTM helmet shell, impact cap, yellow Nomex flannel ear covers, 3M Scotchlite Reflective Material 1" x 4" solid lime-yellow bars, headband cushioned with foam and covered with black knit Nomex.

Liberator with ESS FirePro 1971 Goggles and Yellow Nomex Ear Cover

LFH5100S (Standard Colors)
Orange, Green
Custom Color Call for Quote

Liberator without Eye Protection or Ear Cover

LFH5100H (Standard Colors)
Orange, Green
Custom Color Call for Quote

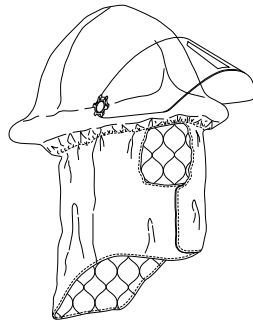
Color style numbers

Standard colors: Yellow (Style 1), black (Style 2), white (Style 3), red (Style 4), blue (Style 5).

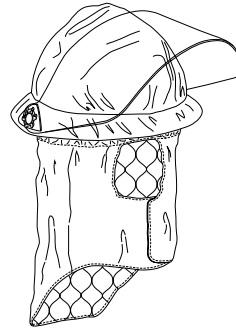
Non-Standard colors: Orange (style 6) and green (style 7)



Proximity Helmet and Components



American Classic™, with Shell Cover and Shroud



Legacy 5™ with Shell Cover and Shroud

NFPA 1971 COMPLIANT PROXIMITY HELMET ENSEMBLES

Color Style Numbers for American Classic and Legacy 5 Helmets
Yellow (Style 1), black (Style 2), white (Style 3), red (Style 4), blue (Style 5), orange (Style 6), green (Style 7) and Natural (Style 8) (American Classic only).

Item	Lot No.
American Classic with proximity standard shroud, standard cover, 6" gold-coated faceshield with thumbwheel	LFH2120G (Standard Colors) Orange
Legacy 5 with proximity standard shroud, standard cover, 6" gold-coated faceshield with thumbwheel	LFH3910G (Standard Colors) Orange, Green

J-FIRE VERSION PROXIMITY HELMET ENSEMBLES

Color Style Numbers for American Classic and Legacy 5 Helmets
Yellow (Style 1), black (Style 2), white (Style 3), red (Style 4), blue (Style 5), orange (Style 6), green (Style 7) and Natural (Style 8) (American Classic only).

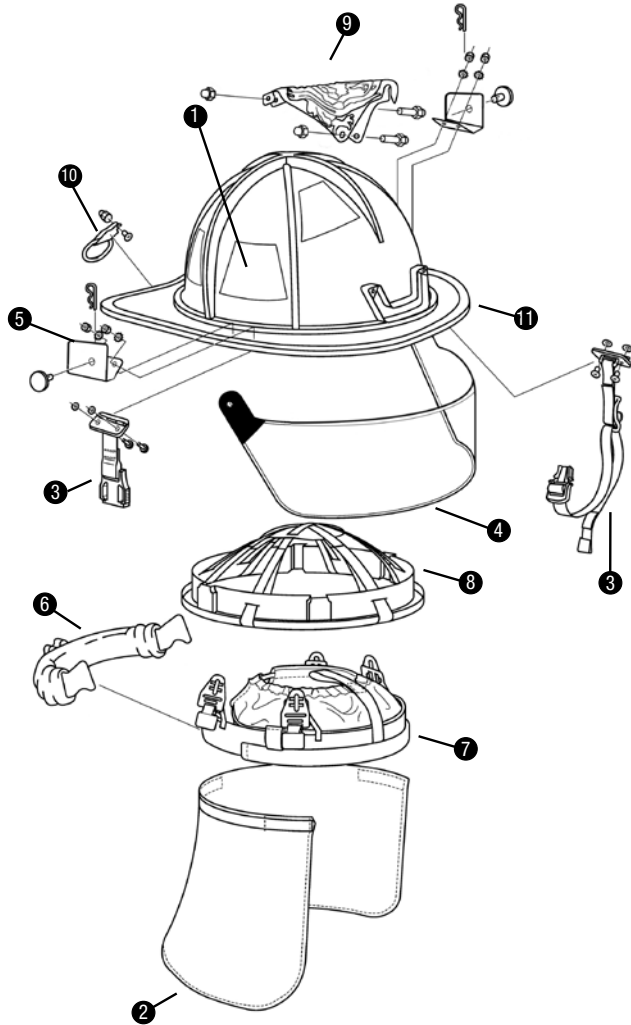
Item	Lot No.
American Classic with J-FireProximity shroud, standard cover, 6" gold-coated faceshield with thumbwheel and J-Fire canister cover	LFH2120J (Standard Colors) Orange
Legacy 5 with J-FireProximity shroud, standard cover, 6" gold-coated faceshield with thumbwheel and J-Fire canister cover	LFH3910J (Standard Colors) Orange, Green

Individual Proximity Components

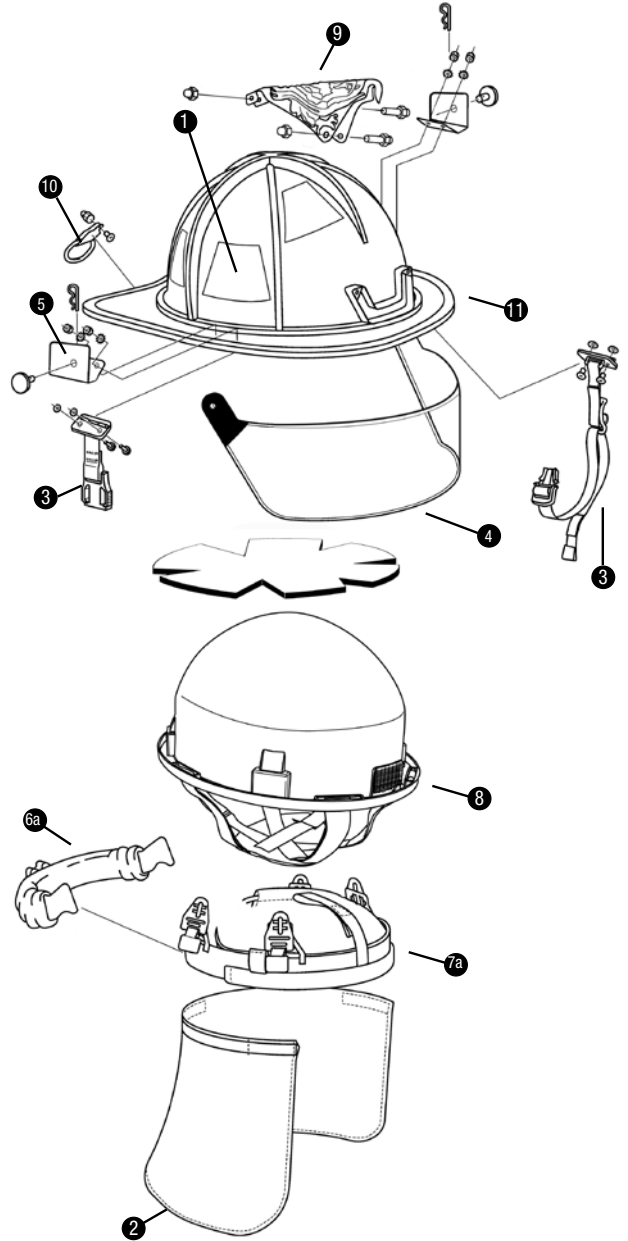
Item	Legacy 5 Lot No.	American Classic Lot No.
Aluminized shell cover – all styles	LFH1011	LFH1011
Shroud – includes RT7100™ moisture barrier and Aralite® thermal layer	LFH1008	LFH1008
6" gold-coated faceshield with thumbwheel	LFH970G	LFH970G
Faceshield cover, black flannel, for 6" gold faceshield	LFH1010	LFH1010
J-Fire shroud with canister cover	LFH1045	LFH1045



American Heritage™ Helmet



American Classic™ Helmet





Traditional-Style Helmets Replacement Parts and Accessories

3M Scotchlite™
Reflective Material

DuPont™ | DuPont™
Nomex™ | **Kevlar™**

REPLACEMENT PARTS AND ACCESSORIES

Item See Drawings on Page 8

American Heritage™
Lot No.

American Classic™
Lot No.

Reflective Trim

- ① • 3M™ Scotchlite™ Reflective Material Trapezoids, Lime-Yellow (Set of 8) LFH939 (Std.) LFH939 (Std.)
- 3M Scotchlite Reflective Material Trapezoids, Red-Orange (Set of 8) LFH940 LFH940
- 3M Scotchlite Reflective Material Trapezoids, Lime-Yellow and Silver (Triple Trim) (Set of 8)..... LFH915 LFH915
- 3M Scotchlite Reflective Material Trapezoids, Red-Orange and Silver (Triple Trim) (Set of 8)..... LFH943 LFH943

Ear Covers

- ② • Black Nomex® Black Flannel..... LFH950=10 (Std.) LFH950=10 (Std.)
- Yellow Nomex, Black Flannel LFH951=10 LFH951=10
- Black PBI®, Black Flannel LFH952=10 LFH952=10
- Natural PBI, Black Flannel..... LFH953=10 LFH953=10
- Yellow Nomex with Throatstrap..... LFH955=10 LFH955=10
- Black Nomex with Throatstrap..... LFH955=20 LFH955=20
- Natural PBI with Throatstrap..... LFH955=30 LFH955=30

Chinstraps

- ③ • Quick-Release Buckle with Postman's Slide LFH963 (Std.) LFH962 (Std.)
- Heritage Chinstrap Hardware for Converting Faceshields to Goggles. Classic Chinstrap Converts Faceshields to Goggles or to Non-NFPA Flipdowns. Both Include Brass Plates and Screws, 5 Complete Sets. LFH1032 LFH1029

Eye Protection

- ④ • 4" Faceshield (Thumbwheels)..... LFH974 LFH974
- ⑤ • Faceshield Bracket Kit (Thumbwheel). Has One Set of Screws for Heritage and Classic..... LFH978 LFH978
- ⑤ • Thumbwheel Faceshield Fastener for 4" Faceshield (5 Sets of Shoulder Bolts, Spring Washers, Nordlock Washers and Hitch Pins)..... LFH1027 LFH1027
- Faceshield Plastic Bracket Kit (Thumbwheel) N/A LFH1040
- Plastic Thumbwheel Faceshield Fastener for 4" Faceshield (5 Sets of Knob Adjustments, Knob Adjustment Nuts, Washers, E-clips)..... N/A LFH1041
- Flip Down Eye Shields* LFH977 LFH977
- Flip-Down Eye Shield Fastening Hardware Kit (15 Pairs Individually Bagged) LFH1019 LFH1019
- Deluxe ESS FirePro 1971™ Goggles Kit with ESS Attachment System..... LFH891=20 LFH891=20
- Reinforcement Plates for Goggles (5 Sets) LFH1049 LFH1049
- Goggles Guard Black Nomex with 3M Scotchlite Reflective Material (Lime-Yellow)..... LFH1024 LFH1024
- Goggles Guard Natural PBI with 3M Scotchlite Reflective Material (Lime-Yellow)..... LFH1052 LFH1052
- Goggles Guard Natural PBI with 3M Scotchlite Reflective Material (Red)..... LFH1061 LFH1061
- ESS FirePro 1971 Goggles Attachment System (10 Sets) LFH1034 LFH1034

(Continued on Page 10)

* Flip down eye shields are not NFPA compliant eye/face protection.



Traditional-Style Helmets Replacement Parts and Accessories

REPLACEMENT PARTS AND ACCESSORIES

Item See Drawings on Page 8

American Heritage™
Lot No.

American Classic™
Lot No.

Headband Options

6	• Deluxe Leather Ratchet Headband	LFH1069 (Std.).....	LFH1069
7	• Padded Ratchet Black Knit Headband	LFH1068.....	LFH1068 (Std.).....
6a	• Headband Pushpins, 30 Pieces	LFH1021.....	LFH1021
7a	• Sizing Foam Adjustments (1" x 5" Pads, Quantity 2).....	LFH998.....	LFH998
8	• Suspension Ring with Straps	LFH1003.....	N/A
	• Green Insulation Foam	N/A.....	LFH1033.....
	• Liner	N/A.....	LFH1035.....
	• Suspension System (Suspension + 8 Dowels).....	N/A.....	LFH1036.....
	• Dowels (5 Sets)	N/A.....	LFH1037.....
	• Headband Replacement Cover (Nomex®)	LFH1066.....	LFH1066.....
	• Headband Replacement Cover (Leather)	LFH1067.....	LFH1067.....

Leather Shield and Mounting Parts

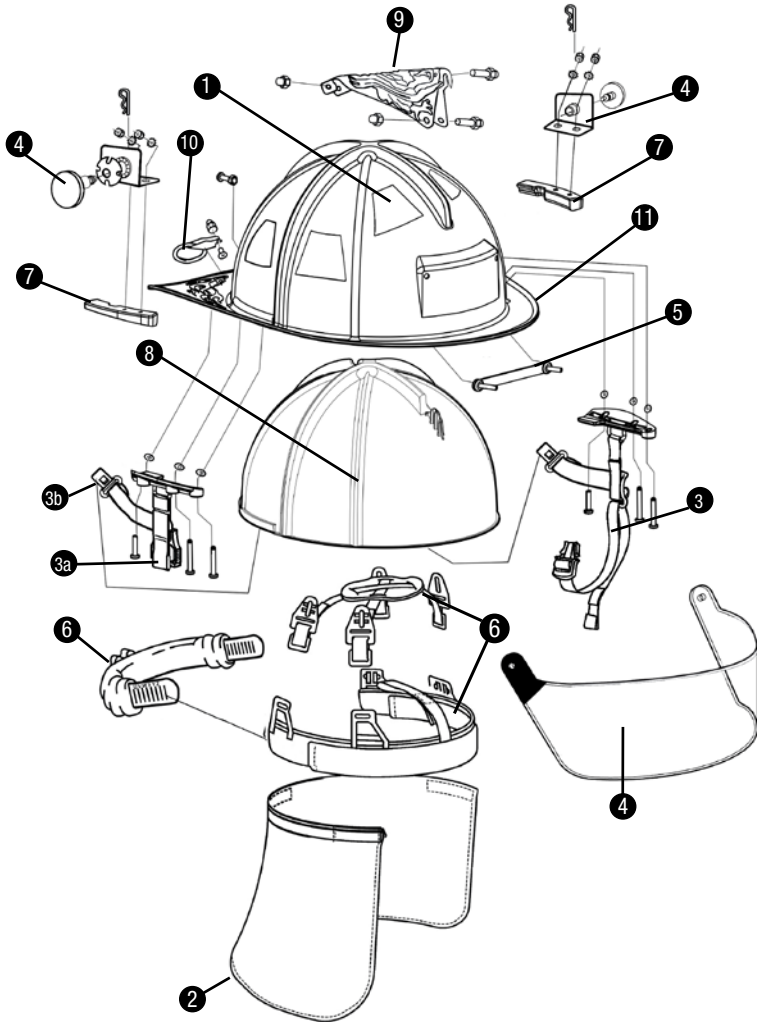
9	• Eagle and Hardware.....	LFH1012=10	LFH1012=10
	• Low Profile Eagle Kit	LFH1012=30	LFH1012=30
	• Eagle Kit (Fits 6" Front, Must Be Used with LFH1017=10)	LFH1012=40	LFH1012=40
	• Front Bracket Kit (10 Sets) (Fits 6" Front, Must Be Used with LFH1012=40)	LFH1017=10	LFH1017=10
	• Front Bracket Kit (10 Sets)	LFH1017.....	LFH1017.....
	• Eagle Replacement Screws and Nuts, 12 Sets (24 Screws and 48 Nuts)	LFH1018.....	LFH1018.....
	• Front Bracket Acorn Nuts and Lock Washers (5 Sets).....	LFH1025.....	LFH1025.....
	• Patent Leather Front (Installed on Helmet) (2 Panel)	LS6l=02	LS6l=02
	• Patent Leather Front (Installed on Helmet) (3 Panel)	LS6l=03	LS6l=03
	• Patent Leather Front (Loose) (2 Panel)	LS6=02	LS6=02
	• Patent Leather Front (Loose) (3 Panel)	LS6=03	LS6=03

Brim Accessories

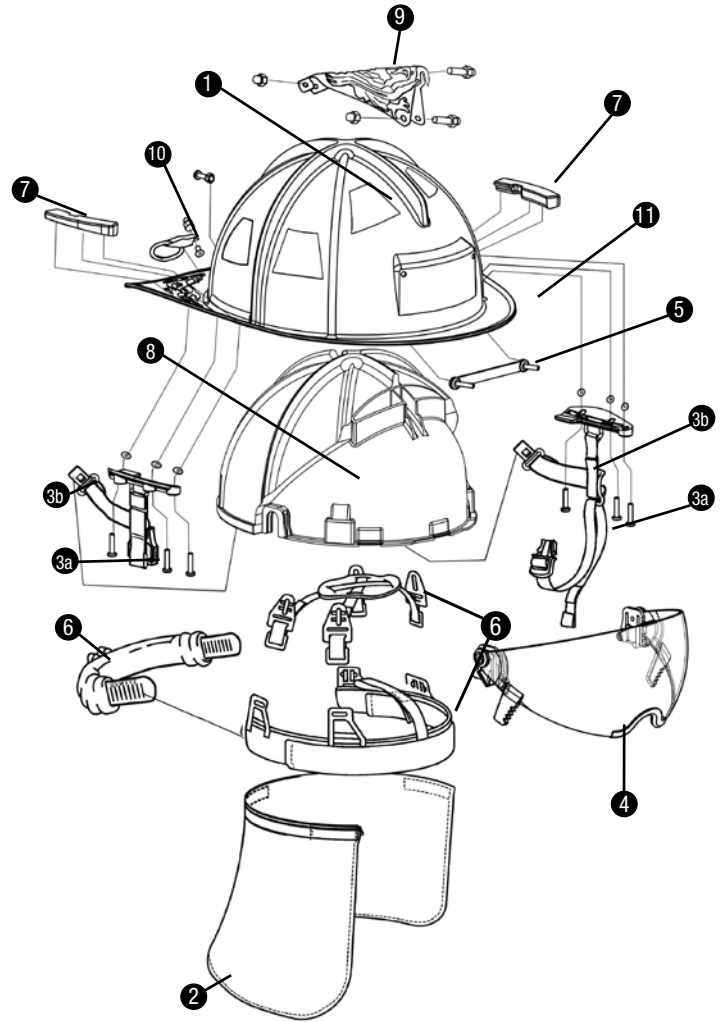
0	• D-Ring Replacement Kit (D-Ring and Fasteners) (5 Sets).....	LFH1016.....	LFH1016.....
1	• Edge Trim (Black)	LFH1050.....	LFH1046.....
	• Edge Trim (White).....	LFH1047.....	LFH1048.....



American Legend™ X Helmet



American Legend™ Helmet





Traditional-Style Fire Helmets

3M Scotchlite[®]
Reflective Material

DuPont[™] | DuPont[™]
Nomex | **Kevlar**

REPLACEMENT PARTS AND ACCESSORIES

Item See Drawing on Page 11

**American
Legend™ X**
Lot No.

**American
Legend**
Lot No.

Reflective Trim

① • 3M™ Scotchlite™ Reflective Material Trapezoids, Lime-Yellow (Set of 8)	LFH939 (Std.)	LFH939 (Std.)
• 3M Scotchlite Reflective Material Trapezoids, Red-Orange (Set of 8)	LFH940	LFH940
• 3M Scotchlite Reflective Material Trapezoids, Lime-Yellow and Silver (Triple Trim) (Set of 8)	LFH915	LFH915
• 3M Scotchlite Reflective Material Trapezoids, Red-Orange and Silver (Triple Trim) (Set of 8)	LFH943	LFH943

Ear Covers

② • Black Nomex®, Black Flannel	LFH950=10(Std.)	LFH950=10 (Std.)
• Yellow Nomex, Black Flannel	LFH951=10	LFH951=10
• Black PBI®, Black Flannel	LFH952=10	LFH952=10
• Natural PBI, Black Flannel	LFH953=10	LFH953=10
• Yellow Nomex with Throatstrap	LFH955=10	LFH955=10
• Black Nomex with Throatstrap	LFH955=20	LFH955=20
• Natural PBI with Throatstrap	LFH955=30	LFH955=30

Chinstraps

③ • Chinstrap 2pt, Chin Strap Mounting Block	LFH1071	LFH1071
--	---------------	---------------

Eye Protection

④ • 4" Faceshield (Thumbwheels)	LFH974	N/A
⑤ • Faceshield Bracket Kit (Thumbwheel). Has One Set of Screws	LFH978	N/A
⑤ • Thumbwheel Faceshield Fastener for 4" Faceshield (5 Sets of Shoulder Bolts, Spring Washers, Nordlock Washers and Hitch Pins)	LFH1027	N/A
• Faceshield Plastic Bracket Kit (Thumbwheel)	LFH1040	N/A
• Plastic Thumbwheel Faceshield Fastener for 4" Faceshield (5 Sets of Knob Adjustments, Knob Adjustment Nuts, Washers, E-clips)	LFH1041	N/A
• Flip Down Eye Shields*	LFH977	N/A
• Flip-Down Eye Shield Fastening Hardware Kit (15 Pairs Individually Bagged)	LFH1019	N/A
• Deluxe ESS FirePro 1971™ Goggles Kit with ESS Attachment System	LFH891=20	N/A
• Reinforcement Plates for Goggles (5 Sets)	LFH1049	N/A
• Goggles Guard Black Nomex with 3M Scotchlite Reflective Material (Lime-Yellow)	LFH1024	N/A
• Goggles Guard Natural PBI with 3M Scotchlite Reflective Material (Lime-Yellow)	LFH1052	N/A
• Goggles Guard Natural PBI with 3M Scotchlite Reflective Material (Red)	LFH1061	N/A
• ESS FirePro 1971 Goggles Attachment System (10 Sets)	LFH1034	N/A
• Goggle Assembly	N/A	LFH1072
• Replacement Nose Piece	N/A	LFH1073
• Protective Cover	N/A	LFH1074

Headband Options

⑥ • Padded Ratchet Black Knit Headband	LFH1070 (Std.)	LFH1070 (Std.)
• Headband Pushpins, 30 Pieces	LFH1021	LFH1021
⑧ • Impact Cap	LFH4000 (Std.)	LFH4001
• Headband Replacement Cover (Nomex)	LFH1066	LFH1066
• Headband Replacement Cover (Leather)	LFH1067	LFH1066

Mounting Parts

⑨ • Eagle and Hardware	LFH1012=10	LFH1012=10
• Low Profile Eagle Kit	LFH1012=30	LFH1012=30
• Eagle Kit (Fits 6" Front, Must Be Used with LFH1017=10)	LFH1012=40	LFH1012=40
• Front Bracket Kit (10 Sets) (Fits 6" Front, Must Be Used with LFH1012=40)	LFH1017=10	LFH1017=10
• Front Bracket Kit (10 Sets)	LFH1017	LFH1017
• Eagle Replacement Screws and Nuts, 12 Sets (24 Screws and 48 Nuts)	LFH1018	LFH1018
• Front Bracket Acorn Nuts and Lock Washers (5 Sets)	LFH1025	LFH1025

Brim Accessories

⑩ • D-Ring Replacement Kit (D-Ring and Fasteners) (5 Sets)	LFH1016	LFH1016
⑪ • Edge Trim (Black)	LFH1046	LFH1046

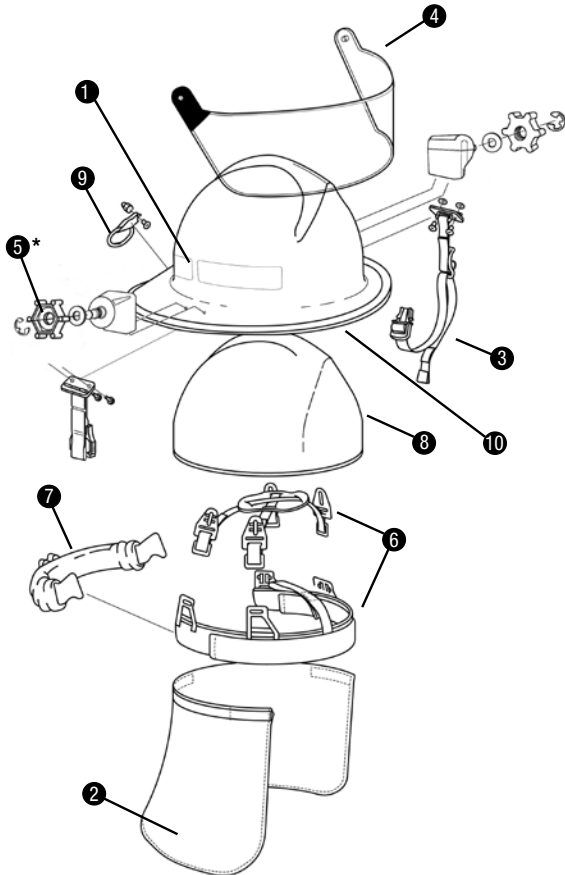
* Flip down eye shields are not NFPA compliant eye/face protection.



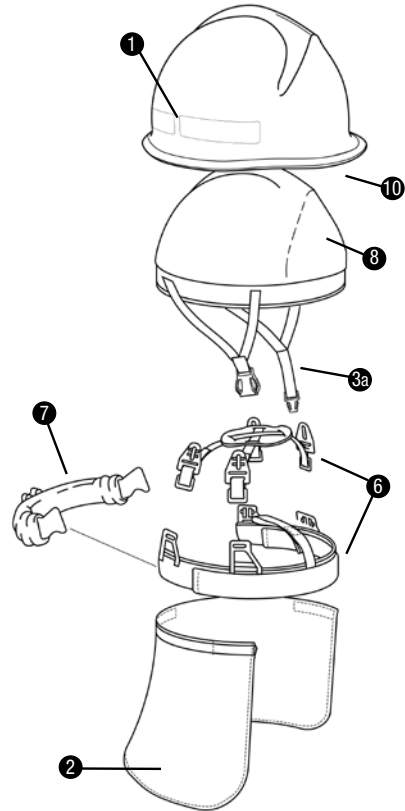
Traditional-Style Fire Helmets

3M Scotchlite™
Reflective Material

Legacy 5™ Helmet



Liberator™ Helmet



*Note: Also available with metal or plastic thumbwheel adjustments on non-WaterGuard® faceshield styles.



Traditional-Style Fire Helmets

3M Scotchlite™
Reflective Material
DuPont™ | DuPont™
Nomex | **Kevlar**.

REPLACEMENT PARTS AND ACCESSORIES

Item See Drawings on Page 13

Legacy 5™
Lot No.

Liberator™
Lot No.

Reflective Trim

- ① • 3M™ Scotchlite™ Reflective Material 1" x 4" Bars, Lime-Yellow (Set of 5)LFH835 (Std.)LFH835 (Std.).....

Ear Covers

- Black Nomex®, Black Flannel.....LFH950=10.....LFH950=10.....
- ② • Yellow Nomex, Black FlannelLFH951=10 (Std.).....LFH951=10 (Std.).....
- Black PBI®, Black FlannelLFH952=10.....LFH952=10.....
- Natural PBI, Black Flannel.....LFH953=10.....LFH953=10.....
- Yellow Nomex with Throatstrap.....LFH955=10.....LFH955=10.....
- Black Nomex with Throatstrap.....LFH955=20.....LFH955=20.....
- Natural PBI with Throatstrap.....LFH955=30.....LFH955=30.....

Chinstraps

- Quick-Release with Postman's SlideLFH961=10 (Std.)N/A.....
- ③a • Nomex Four-Point Chinstrap with Postman's SlideN/A.....LFH960 (Std.).....
- Legacy 5 Chinstrap Hardware for Converting Faceshields to Goggles. Includes Brass Plates and Screws (5 Sets).....LFH1029N/A.....

Eye Protection

- ④ • 4" Faceshield (Thumbwheels).....LFH974N/A.....
- 4" Faceshield (WaterGuard® Seal).....LFH975N/A.....
- Faceshield Bracket Kit (Thumbwheel-Metal)LFH1060N/A.....
- Faceshield Bracket Kit (Thumbwheel-Plastic).....LFH979=10LFH979=10.....
- ⑤ • WaterGuard Faceshield Bracket Kit.....LFH981=10N/A.....
- WaterGuard Faceshield Fasteners for 4" Faceshield (Springs, Bolts and Hitch Pins) (5 Sets)LFH1020N/A.....
- Plastic Thumbwheel Faceshield Fasteners for 4" Faceshield (Knob Adjustment, Knob Adjustment Nuts, Washers, E-clips) (5 Sets)LFH1041N/A.....
- Deluxe ESS FirePro 1971™ Goggles Kit with ESS Attachment System.....LFH891=20LFH891=20.....
- Reinforcement Plates for Goggles (5 Sets)LFH1049LFH1049.....
- Goggles Guard Black Nomex with 3M Scotchlite Reflective Material (Lime-Yellow)LFH1024LFH1024.....
- Goggles Guard Natural PBI with 3M Scotchlite Reflective Material (Lime-Yellow).....LFH1052LFH1052.....
- Goggles Guard Natural PBI with 3M Scotchlite Reflective Material (Red).....LFH1061LFH1061.....
- ESS FirePro 1971 Goggles Attachment System (10 Sets)LFH1034LFH1034.....

Headband Options

- ⑥ ⑦ •Padded Ratchet Headband and Suspension (Black Knit Only).....LFH1070 (Std.)LFH1070 (Std.).....
- Headband Pushpins, (30 Pieces)LFH1021LFH1021.....
- Headband Replacement Cover (Nomex)LFH1066LFH1066.....
- Headband Replacement Cover (Leather)LFH1067LFH1067.....

Impact Cap

- ⑧ • Impact CapLFH1000 (Std.)LFH1000 (Std.).....

Brim Accessories

- ⑨ • D-Ring Replacement Kit (D-Ring and Fasteners), (5 Sets).....LFH1016LFH1016.....
- ⑩ • Edge Trim (Black)LFH1046LFH1046.....
- Edge Trim (White).....LFH1048LFH1048.....



2019 LION Customer Policies — Terms/Warranty

2019 LION CUSTOMER POLICIES — TERMS AND CONDITIONS OF DOMESTIC SALE, 48 CONTIGUOUS STATES

These are the General Terms and Conditions of Sale and Delivery ("General Terms") of Lion First Responder PPE, Inc., with its place of business at 7200 Poe Avenue, Suite #400, Dayton, OH 45414, and companies or enterprises affiliated therewith (hereinafter jointly referred to as "Supplier").

1. APPLICABILITY

- a. These General Terms and Conditions of Delivery and Services apply to all offers, services, deliveries and agreements contracted as such with Supplier.
- b. These General Terms may only be departed from if Supplier expressly states or acknowledges this in writing.
- c. Other general terms and conditions, including but not limited to the terms and conditions of any counterparty (including but not limited to buyers or commissioning parties, that Supplier has concluded an agreement with or is in negotiation of concluding any agreement) (all hereinafter to be referred to as "Customer"), shall, where not in accordance with these General Terms, be explicitly rejected. Such other general terms and conditions shall only apply if and insofar as explicitly confirmed by Supplier in a separate document.
- d. These General Terms also apply, as circumstances so dictate, for the benefit of personnel and assistants of Supplier and/or auxiliaries engaged by Supplier who are working and/or useful for the performance of the relevant agreement, as well as for the benefit of third parties through whom Supplier has the contracted agreement performed, whether in whole or in part.

2. OFFERS, CONTRACTS & CHANGES

- a. Unless the offer stipulates a period for acceptance, all offers are non-binding. In all offers, prices stated do not include any state, local or federal governmental taxes, duties and/or customs charges unless specifically stated. Up to one (1) week after acceptance of a non-binding offer, Supplier may withdraw the offer. A non-binding offer remains valid for a maximum period of thirty (30) days, unless explicitly stated otherwise in the offer.
- b. The agreement is contracted as soon as a full and unconditional acceptance of the offer has reached Supplier. This acceptance implies that the Customer consents to the applicability of these General Terms and, insofar as necessary, waives the declaration of applicability of the Customer's own general terms and conditions of purchase (or of whatever kind).
- c. If the acceptance contains reservations or changes to the offer, contrary to the provisions of the preceding paragraphs, the agreement is only contracted if and insofar as Supplier has explicitly informed the Customer in writing that it consents to such departures from the offer. In such event, only the reservations or changes stipulated by the Customer that Supplier has expressly confirmed will be applicable, meaning that all other reservations or changes that are not expressly confirmed to be accepted are deemed to have been rejected. It is understood that the applicability of these General Terms (including all provisions hereto), is a key stipulation of Supplier, and forms an integral part of its offer.
- d. Offers issued and contracts entered into by representatives, sales agents or intermediaries are binding on Supplier only after the order has been confirmed in writing.
- e. Supplier is only bound by offers and contracts produced and/or concluded by representatives, commercial agents or intermediaries after a written order confirmation by Supplier.
- f. Information and data provided by the Customer to Supplier for the purposes of the agreement contracted, such as drawings, etc., will be assumed by Supplier to be correct, and Supplier will base its offer on such information. Supplier is not responsible, and bears no responsibility, for specifications or designs developed and supplied by Customer and/or information, drawings, etc. supplied by the Customer as referred to in the preceding sentence, regardless of whether Supplier has advised the Customer thereon. This applies accordingly to parts and materials that the Customer makes available or prescribes to Supplier.
- g. In reading the measures, weights, colors and technical data contained in the offers, the other party should allow for minor discrepancies which do not exceed the normal limits. Sizes, weights, colors and technical details in the offer should be read in such a way that the other party must take account of small deviations that do not go beyond the boundaries of what is considered normal.
- h. Prices in offers and contracts are based on the relevant circumstances and data (particularly the salary and materials costs) which were in force or known to Supplier at the time of preparing the offer or concluding the contract.
- i. All orders are subject to credit department approval.
- j. Delivery, minimums and surcharges of the goods and services may vary according to the product line; all such variations will be stated in proposals, quotes or bid documents.
- k. Possession of a price list of Supplier does not constitute an offer to sell.
- l. For all turnouts, a One Hundred and Twenty-Five U.S. Dollar (\$125) (list) minimum order surcharge may apply to special cuts or special production runs and to custom sizes or over-sizes outside Supplier's standard sizing (see appropriate sizing charts). On non-turnout products, a ten percent (10%) minimum surcharge may apply to special cuts or special production runs and to custom sizes or over-sizes outside Supplier's standard sizing (see appropriate sizing charts).
- m. Supplier is entitled to adjust offered or agreed prices according to reasonableness and fairness, if there is a change in circumstances or data after the issuing of the offer or the conclusion of the contract, but before the performance of the contract.

3. DELIVERY & RISK OF LOSS

- a. For PPE and core training products, freight term for domestic orders delivered within the 48 contiguous U.S. states is F.O.B. Destination unless otherwise stated on quote.
- b. Contact Supplier for terms and conditions of sale for International, Alaskan/Hawaiian or other non-continental U.S. destinations, Totalcare offers, and for sale of large props and Custom Build training projects.
- c. No C.O.D. orders.
- d. Unless expressly agreed otherwise, stated delivery times shall not be regarded as deadlines, unless explicitly agreed otherwise. In the event of late delivery, the Customer must give Supplier due notice before Supplier can be in default.
- e. Supplier reserves the right to ship partial orders unless complete shipment is stated on the order.
- f. Rush orders for custom make-to-order products are subject to a twenty percent (20%) rush fee.
- g. The delivery period commences on the date on which Supplier has confirmed the order to the Customer, or otherwise on the date agreed by the parties in writing.
- h. Supplier is authorized to determine the method of transport. For Large Props and Custom Build Projects, transport costs are not included in the offers and sale prices, but will be charged separately to the Customer as appropriate.
- i. The goods shall be delivered by Supplier in the packaging it deems appropriate. If the Customer prescribes different packaging, Supplier is entitled to invoice the Customer separately for the cost of such packaging.
- j. Supplier is entitled to have deliveries made or services performed by third parties.
- k. Documentation provided by third party carriers shall be conclusive evidence of proof of delivery and Supplier bears no responsibility for goods after delivery by carrier to designated destination.
- l. If applicable, the Customer should ensure that Supplier is able to carry out the installation work undisturbed. Amongst other things, the Customer should ensure free access to the installation site and the availability of all the necessary facilities.



2019 LION Customer Policies — Terms/Warranty (Continued)

4. PAYMENT & TRANSFER OF OWNERSHIP

- a. All orders for make-to stock products are subject to a handling charge of Four and 25/100 U.S. Dollars (\$4.25). All orders amounting to less than Fifty U.S. Dollars (\$50.00) will be subject to a handling charge of Fifteen U.S. Dollars (\$15.00).
- b. In the event of late payment by the Customer, the Customer will be deemed to be in breach by operation of law with no demand letter or notice of default being required. All payments must be made within thirty (30) days after the date of invoice, unless any other payment term is explicitly agreed in writing. Payment must be made without any deduction or offsetting, at the offices of Supplier or by means of transfer to a bank account stipulated by Supplier.
- c. Supplier retains full (and sole) ownership of the goods until such time as the due purchase sum, including any statutory interest, collection cost, etc. has been paid in full and received by Supplier, even if the goods have meanwhile been processed or incorporated into other products.
- d. If the Customer does not pay within the set time described herein (the "Payment Date"), it shall be deemed to be legally in default without the requirement of any warning or notice of default.
- e. For amounts owed after the Payment Date, Customer shall pay two percent (2%) per month interest, or the maximum statutory rate, if below 2%, as well as legal and other costs incurred in order to secure the performance of the contract, its cancellation and/or compensation, except if Supplier is ruled against by a final and conclusive judgment of the court.
- f. The collection costs shall amount to at least fifteen percent (15%) of the outstanding sum, subject to a minimum of Three Hundred U.S. Dollars (\$300.00).
- g. The Customer is at all times obliged to furnish security to Supplier, immediately upon receipt for the fulfillment of its obligations. If the Customer does not comply with this request, Supplier will be entitled to cancel the contract, as well as any other still existing contracts between Supplier and the Customer, without judicial intervention, and to claim additional or compensatory damages.
- h. If Supplier has claims against the Customer and the object of these claims is under a retention of title and Supplier also has claims against the Customer for which no retention of title has been made, payment by the Customer is applied first towards fulfillment of the claim(s) not subject to retention of title.
- i. As long as the ownership of the goods delivered has not been transferred to the Customer: (i) the Customer is not permitted to transfer the ownership of the goods delivered, to encumber these goods with real rights or rights under the law of obligations, or to alienate them under any title whatsoever except pursuant to the provisions of paragraph 9 of this article or otherwise agreed in writing; (ii) the Customer is obliged to observe due care in maintaining custody of the goods and to hold them as the identifiable property of Supplier (any marks or signs of Supplier applied in, on or to the goods delivered must remain clearly visible; and (iii) the Customer is obliged to store goods delivered that are defined exclusively by type and weight separately and ensure that they are clearly identifiable as property of Supplier.
- j. As long as the ownership of the goods delivered has not been transferred to the Customer, the Customer is permitted to incorporate or process the goods delivered or sell and transfer them to third parties, so long as in the context of its normal business operations, and in the case of sale, the Customer (i) stipulates a retention of title to the goods delivered upon its customer, or (ii) immediately pays the purchase price owed to Supplier, or (iii) pledges to Supplier the Customer's claim against its customer, payable upon demand by Supplier.
- k. Supplier is entitled to reclaim the goods delivered under retention of title, if and insofar as the Customer remains in default of the fulfillment of any obligation toward Supplier, or in the opinion of Supplier, exhibits any payment problems.
- l. The Customer hereby grants Supplier nunc pro tunc the irrevocable right to enter the Customer's business premises or to allow a third party designated by Supplier to do so in the event that Supplier wishes to reclaim the delivered goods.

5. RETURNS

- a. The Customer must contact Supplier Customer Support within forty-five (45) days of receipt of shipment to receive a Return Authorization Number. All returns received without a Return Authorization Number will be held up for processing. Except for defective items:
 - i. Products that have been worn, laundered, altered or soiled are non-returnable;
 - ii. Personalized garments (e.g., with names, letters or heat transfer emblems) are non-returnable;
 - iii. Custom manufactured, custom sizes, made-to-order and special cut products are non-returnable;
 - iv. Products that have been discontinued or redesigned are non-returnable;
 - v. Boots that have been worn are non-returnable;
 - vi. CBRN products are non-returnable.
- b. Returns must have prior approval from Supplier and marking instructions. Supplier will not accept goods returned without its written permission.
- c. Return of stock goods are subject to a fifteen percent (15%) restocking fee.
- d. Custom made-to-order products are not returnable.

6. FORCE MAJEURE

- a. If Supplier is prevented by force majeure from making full, correct and proper delivery within the delivery time, Supplier is entitled to cancel the contract, or to inform the Customer of a reasonable period within which full, correct and proper delivery can still be made, without Supplier being bound to pay any compensation.
- b. Force majeure is deemed to apply if after agreement is concluded, Supplier is prevented from fulfilling its obligations under this agreement or making the preparations to do so as the result of an extraordinary nature in particular circumstances such as war, risk of war, civil war, acts of war, riot, terrorism, civil unrest, fire, water damage, inaccessibility of certain areas, flooding, strike, works occupation, lockout, hindrances to imports and exports, official regulations, defective machinery, interruptions in the power supply, all of these both in Supplier's factory and in the third party establishments from which Supplier wholly or partly draws the necessary plant or raw materials, as well as in storage or during transport, whether or not under Supplier's own control and, further, through all other causes arising through no fault of Supplier or outside its area of risk.
- c. In the event Supplier fails to perform any of its obligations due to force majeure, Supplier will inform the Customer immediately of the reason and will immediately upon cessation of the force majeure take all reasonable steps within its power to resume compliance with its obligations ASAP. If the obligations cannot be met after sixty (60) days either party has the right to terminate the contract.

7. DISPUTES & APPLICABLE LAW

- a. All legal relationships between the parties are governed exclusively by U.S. law, to the exclusion of all other legal systems.
- b. The Vienna Sales Convention (CISG) is not applicable, nor are any other international rulings from which exclusion is permitted.
- c. All disputes will be settled exclusively by a court of competent jurisdiction in Dayton, Ohio. Nonetheless, the parties will first attempt in good faith to resolve any dispute or claim amicably through negotiations between representatives of each party with authority to settle the relevant dispute.

continued on next page



2019 LION Customer Policies — Terms/Warranty (Continued)

8. COMPLAINTS & LIABILITY

- a. Without prejudice to all that is stipulated in the agreement and elsewhere in these General Terms, Supplier will not be liable, contractually and/or extra-contractually, for direct damages, except insofar as the Customer proves that the damage and/or loss is the result of a shortcoming relating to the delivered product that can be fully and solely attributed to Supplier, in which case, however, the total liability of Supplier will be still limited to the amount that is covered by its insurance. If no insurance coverage exists, for any reason at all, Supplier's liability is limited to a sum equal to the amount of the invoice value of the supplied goods that gave rise to the liability. Supplier can never be held liable for loss of profits, loss of earnings or other indirect and consequential damage. Supplier will in no event be liable, unless insofar as it explicitly accepts liability in these General Terms or in a written agreement between Supplier and the Customer.
- b. Complaints must be submitted to Supplier in writing, with argumentation, within fourteen (14) days after the Customer becomes aware or could reasonably have become aware of the complaint, failing which Supplier is entitled to disregard the complaint and the Customer is deemed to have waived any claim it may have against Supplier with regard to the complaint.
- c. If a timely and well-substantiated complaint is found justified, Supplier is entitled to either lower its invoices or improve the results of its work.
- d. Complaints do not entitle the Customer to suspend or offset any payments.
- e. After delivery, Supplier is no longer liable for faults, excepting where faults are fully and solely attributable to Supplier and the Customer did not give notice of such faults prior to the transfer in title, and furthermore the Customer could not reasonably be expected to have discovered these faults at the moment of transfer in title and register a complaint concerning the fault within the appropriate time frame as stipulated herein.
- f. If and insofar as the Customer has insured any risk associated with the agreement, the Customer is obliged to claim any damages under that insurance and indemnify Supplier against recovery claims by the insurer.
- g. Supplier's liability for direct material damages is at all times limited to the net amount of the invoice pertaining to the agreement (excluding VAT). Under no circumstances shall the compensation exceed the amount for which Supplier has procured insurance coverage for the loss-causing events and for which coverage is actually provided.
- h. The following are not subject to compensation: Consequential loss, including damages due to business stoppage and loss of profit; Damages inflicted on persons and/or property found in the vicinity of the location where the contract is being performed inflicted by or during the performance of the contract; Damages caused by third parties, such as auxiliaries engaged by Supplier.
- i. Excepting where otherwise agreed in writing, all liability of Supplier is cancelled (and therefore will expire) at the latest after six (6) months have elapsed from the moment at which the agreement ends by transfer in title, dissolution or cancellation.
- j. The legal claim derived from a fault for which Supplier is liable is not admissible (and will therefore expire) if it is brought later than six (6) months following the day on which the agreement ends by virtue of delivery, transfer in title, dissolution or cancellation.

9. INTELLECTUAL & INDUSTRIAL PROPERTY RIGHTS

- a. All rights of intellectual property with regard to the products and/or services as well as the designs, drawings, software, documentation and all other materials developed and/or used in the preparation or performance of the agreement between Supplier and the Customer or agreements resulting therefrom are vested exclusively in Supplier or its suppliers. The delivery of products and/or services does not extend to any transfer of intellectual property rights.
- b. The Customer acquires only a license for the non-exclusive and non-transferable right to use the products and results of the services for the agreed purposes. The license is only valid if the Customer fulfils the financial obligations connected with making available the copyright-protected design.
- c. The license applies solely to the use of the design or invention in question by the Customer itself. Use of the license by third parties is not permitted except after written permission has been obtained by Supplier.
- d. Without the prior written consent of Supplier, the Customer shall not in any way disclose, duplicate, reverse-engineer or allow third-party access to any or all of the products, services, and results thereof.
- e. The Customer shall not remove or alter references of Supplier or its suppliers concerning copyrights, trademarks, trade names or other intellectual property rights.
- f. Supplier warrants that it is authorized to extend the rights of use as described above to the Customer, and indemnifies the Customer against any claims of third parties in this regard. This provision does not apply if and insofar as the products, services and/or their results are altered and/or if they are delivered in conjunction with goods of third parties, in this latter case excepting where the Customer demonstrates that the claims of third parties pertain exclusively to the products, services and/or results delivered by Supplier.
- g. As long as there is retention of title in place, Supplier can reclaim the goods without this constituting default. The Customer irrevocably authorizes Supplier to enter the place(s) where these goods are located. Additionally, the Customer is not authorized to alienate the goods, nor to encumber the goods with any right or restricted right.

10. CANCELLATION

- a. Supplier is entitled to cancel the agreements with the Customer under retention of its claims for compensation of losses in full, in the event of:
 - i. the Customer's late payment of eligible amounts or an interruption in Customer's payments;
 - ii. the Customer's application for bankruptcy;
 - iii. the Customer's application for suspension of payments;
 - iv. the Customer's being placed under conservatorship; or
 - v. liquidation of the Customer's business.
- b. If the Customer cancels a contract, Supplier is entitled to recover from the other party the costs which it has incurred that can no longer be recovered, as well as its lost profit.
- c. Cancellation of the agreement renders all outstanding claims between the parties immediately fully payable. The Customer is liable for the damages suffered by Supplier, including but not limited to loss of profit and transport costs.
- d. The lost profit must amount to at least twenty-five percent (25%) of the payment (excluding turnover tax) that Supplier would have received from the performance of the contract.

11. WARRANTY

- a. For PPE and uniforms, Supplier warrants that all its firefighter and emergency responder protective clothing, uniforms and equipment meet all applicable NFPA standards in effect at the time of their manufacture and further warrants that such products are free from any defect in workmanship or any patent material defect.
- b. Conditions of use are outside the control of Supplier. It is the responsibility of Customer to inspect and maintain the product to assure it remains fit for its intended purpose. In order to maximize the useful life of these products and maintain the warranty, the products are to be used only by appropriately trained personnel following proper firefighting or emergency response techniques and in accordance with the products' warning, use, inspection, maintenance, care, storage and retirement instructions. Failure to do so will void the warranty.

continued on next page



2019 LION Customer Policies — Terms/Warranty (Continued)

- c. If the agreement involves the processing of material supplied by the Customer, Supplier warrants the product incorporating the material to be free from only manufacturing defects for a period of six (6) months after delivery. If the processing proves to be unsound, Supplier may, at its own discretion, either remedy the fault or perform the processing again using material to be delivered by the Customer, or refund a proportionate amount of the agreed contract price.
- d. Subparagraphs e, f, g and h of this section apply exclusively to training products:
- e. Supplier warrants the proper functioning of its products and the soundness of the materials and parts used therein for a period of twelve (12) months after delivery or for any other such term as agreed in writing between Supplier and the Customer. No warranty is given for products that were not new at the moment of delivery, and/or products that are not in use by the Customer itself. Supplier does not warrant that the goods are suitable for the purpose for which the Customer intends to use them. Supplier does not warrant the absence of any faults of the products if and insofar as the products were made following the design and/or other instructions or materials of the Customer.
- f. Parts for which the wear-and-tear is dependent on the intensity and frequency of use of the product delivered are warranted for twelve (12) months or seven hundred and fifty (750) hours of use, whichever comes first. Replacement of any parts damaged as result of excessive usage and operation, defined as greater than eighty-five (85) hours per month or one thousand (1,000) hours per year, or more than ten (10) hours of continuous operation, shall be excluded from the warranty.
- g. Supplier must be informed of more intensive use as soon as it becomes clear that the product is likely to be used more than indicated in General Terms or a separate agreement signed by both parties. If the Customer remains in default of notifying Supplier, the warranty is voided.
- h. Faults that arise after modification or repair by third parties, faults resulting from the use of the products for a purpose other than that for which they are intended, and faults arising from normal wear-and-tear, injudicious use or improper maintenance are not covered by the warranty. The Customer is also barred from invoking the warranty provisions:
 - i. if software and/or systems purchased by the Customer have been installed without the prior consent of Supplier and/or not fully according to any given instructions of Supplier;
 - ii. in the event of negligence on the part of the Customer with regard to maintenance, or if the Customer has used the goods for purposes for which they were not designed;
 - iii. if the Customer has made changes or had changes made to the goods;
 - iv. in the event of injudicious or reckless use, improper connections, improper voltage, lightning strike, damage due to moisture penetration or other external causes or calamities; or
 - v. for software problems resulting from the installation of software installed by the Customer or third parties without the explicit permission of Supplier.
- i. EXCEPT AS SET FORTH ABOVE, SUPPLIER MAKES NO OTHER WARRANTIES, EXPRESSED OR IMPLIED, INCLUDING BUT NOT LIMITED TO, ANY WARRANTIES OF MERCHANTABILITY OR FITNESS FOR ANY PARTICULAR USE.
- j. Under the above warranties, Supplier will repair or replace, at its option, any product which does not meet the above warranties. Such repair or replacement will be the Customer's sole remedy and Supplier will not be responsible for any incidental, consequential or other damages based upon or arising in any way from breach of the warranties contained herein or the Customer's use of such product.
- k. The repairs under warranty will normally be carried out by Supplier at its factory, affiliate, or other designated facility. Only if repair by Supplier or a third party engaged by Supplier is not possible, and Supplier has duly communicated this to the Customer, the Customer shall be entitled to the replacement or repair of the faulty parts (unless otherwise explicitly agreed).
- l. Supplier may decide not to repair the goods but instead to replace them with brand new or equivalent goods, or to take back the goods and, if appropriate, refund part of the purchase price and/or offer a comparable alternative.
- m. The goods replaced under this warranty will be the property of Supplier.
- n. These warranty obligations apply only to any product, part or component which is returned to Supplier or a Supplier Authorized Clean and Repair Center with prior authorization and proof of purchase, and which Supplier agrees to be defective as covered by this warranty.
- o. The word "product" includes the product itself and any parts or labor furnished by Supplier with the sales, delivery or servicing of the product.
- p. "Defects in workmanship and materials" means poorly manufactured seams, stitching or components (e.g., loose or broken seams, zippers or snaps that fall off or do not function properly), and fabrics which have such flaws as holes, uneven spots, weak areas, pilling or other flaws caused by irregularities in their manufacture.
- q. The limited warranty for firefighter PPE does not cover the following items after receipt of the product by Customer:
 - i. Claims made after sixty (60) days from the date of shipment for damage to materials;
 - ii. Damage or color change from exposure of materials to direct or indirect sunlight or fluorescent light;
 - iii. Shade variations among textiles used or shade changes to fabrics caused by wear and tear and/or washing;
 - iv. Color loss due to abrasion (creases, folds, pleats, edges, collar points, etc.);
 - v. Damage caused by improper washing, decontamination, disinfecting or maintenance (for example, use of chlorine or petrochemicals to clean);
 - vi. Damage caused by repair work not performed to factory specifications;
 - vii. Damage from routine exposure to common hazards which may cause rips, tears, burn damage or abrasion;
 - viii. Loss of retroreflectivity of reflective trim due to normal wear and tear and/or heat exposure;
 - ix. Detachment of reflective trim due to thread abrasion and/or heat exposure;
 - x. Replacement of zippers or closures worn partially sealed and/or damaged by heavy wear and tear;
 - xi. Loss of buttons, snaps, or cuff seams.
- r. For training products, telephone support is offered within the warranty period to assist with trouble-shooting faults and to assist the Customer in replacing parts covered under warranty. At the conclusion of the warranty period, telephone support will be offered as part of a separate Maintenance Contract offered by the Supplier. The Customer understands that telephone support and assistance can only be guaranteed during normal office hours and on normal workdays.



Item/Part Number Index

Lot No.	Product	Page #
LFH1000	Impact Cap, Legacy 5 and Liberator	14
LFH1003	American Heritage Suspension Ring with Straps.....	10
LFH1008	American Classic and Legacy 5 Shroud – Includes RT7100 Moisture Barrier and Aralite Thermal Layer.....	7
LFH1010	American Classic and Legacy 5 Faceshield Cover, Black Flannel, for 6" Gold Faceshield	7
LFH1011	Aluminized Shell Cover – All Styles.....	7
LFH1012=10	American Heritage, American Classic, American Legend X and American Legend Eagle and Hardware	10, 12
LFH1012=30	Low Profile Eagle Kit.....	10, 12
LFH1012=40	Eagle Kit (Fits 6" Front, Must Be Used with LFH1017=10).....	10, 12
LFH1016	D-ring Replacement Kit (D-Ring and Fasteners) (5 Sets)	10, 12, 14
LFH1017	American Heritage, American Classic, American Legend X and American Legend Front Bracket Kit (10 Sets).....	10, 12
LFH1017=10	American Heritage, American Classic, American Legend X and American Legend Front Bracket Kit (10 Sets) (Fits 6" Front, Must Be Used with LFH1012=40)	10, 12
LFH1018	Eagle Replacement Screws and Nuts, 12 Sets (24 Screws and 48 Nuts) for American Heritage, American Classic, American Legend X and American Legend	10, 12
LFH1019	Flip-Down Eye Shield Fastening Hardware Kit (15 Pairs Individually Bagged) for American Heritage, American Classic and American Legend X.....	9, 12
LFH1020	Legacy 5 WaterGuard Faceshield Fasteners for 4" Faceshield (Springs, Bolts and Hitch Pins) (5 Sets)	14
LFH1021	Headband Pushpins, 30 Pieces.....	10, 12, 14
LFH1024	Goggles Guard Black Nomex with 3M Scotchlite Reflective Material (Lime-Yellow)	9, 12, 14
LFH1025	American Heritage, American Classic, American Legend X and American Legend Front Bracket Acorn Nuts and Lock Washers (5 Sets)	10, 12
LFH1027	American Heritage, American Classic and American Legend X Thumbwheel Faceshield Fastener for 4" Faceshield (5 Sets of Shoulder Bolts, Spring Washers, Nordlock Washers and Hitch Pins).....	9, 12
LFH1029	American Classic and Legacy 5 Chinstrap Hardware for Converting Faceshields to Goggles. Classic Converts Faceshields to Goggles or to Non-NFPA Flip Downs. Includes Brass Plates and Screws, 5 Complete Sets.....	9, 14
LFH1032	American Heritage Chinstrap Hardware for Converting Faceshields to Goggles. Includes Brass Plates and Screws, 5 complete Sets.....	9
LFH1033	American Classic Green Insulation Foam	10
LFH1034	ESS FirePro 1971 Goggles Attachment System (10 Sets)	9, 12, 14
LFH1035	American Classic Liner	10
LFH1036	American Classic Suspension System (Suspension + 8 Dowels).....	10
LFH1037	American Classic Dowels (5 Sets).....	10
LFH1040	American Classic and American Legend X Faceshield Plastic Bracket Kit (Thumbwheel).....	9, 12
LFH1041	American Classic, Legacy 5 and American Legend X Plastic Thumbwheel Faceshield Fastener for 4" Faceshield (5 Sets of Knob Adjustments, Knob Adjustment Nuts, Washers, E-clips).....	9, 12, 14
LFH1045	American Classic and Legacy 5 J-Fire Shroud with Canister Cover	7
LFH1046	American Classic, American Legend X, Legend, Legacy 5 and Liberator Edge Trim (Black)	10, 12, 14
LFH1047	American Heritage Edge Trim (White).....	10
LFH1048	American Classic, Legacy 5 and Liberator Edge Trim (White).....	10, 14
LFH1049	Reinforcement Plates for Goggles (5 Sets)	9, 12, 14
LFH1050	American Heritage Edge Trim (Black)	10
LFH1052	Goggles Guard Natural PBI with 3M Scotchlite Reflective Material (Lime-Yellow)	9, 12, 14
LFH1060	Metal Thumbwheel Faceshield Bracket Kit for Legacy 5.....	14
LFH1061	Goggles Guard Natural PBI with 3M Scotchlite Reflective Material (Red).....	9, 12, 14
LFH1066	Headband Replacement Cover (Nomex).....	10, 12, 14
LFH1067	Headband Replacement Cover (Leather)	10, 12, 14
LFH1068	Padded Ratchet Black Knit Headband for American Heritage and American Classic	10
LFH1069	Deluxe Leather Ratchet Headband for American Heritage and American Classic	10
LFH1070	Padded Ratchet Headband Suspension (Black Knit Only) for American Legend X, Legend, Legacy 5 and Liberator	12, 14
LFH1071	Chinstrap 2pt for American Legend X	12
LFH1072	Goggle Assembly for American Legend	12
LFH1073	Replacement nosepiece for American Legend	12
LFH1074	Protective cover for American Legend.....	12



Item/Part Number Index

Lot No.	Product	Page #
LFH2120D	American Classic with ESS FirePro 1971 Goggles and Flip Down Eye Shields, Standard Colors.....	4
LFH2120D	American Classic with ESS FirePro 1971 Goggles and Flip Down Eye Shields, Natural, Orange and Custom Color.....	4
LFH2120E	American Classic with 4" Faceshield and Metal Thumbwheel Adjustments, Standard Colors.....	4
LFH2120E	American Classic with 4" Faceshield and Metal Thumbwheel Adjustments, Natural, Orange and Custom Color.....	4
LFH2120F	American Classic with Flip Down Eye Shields (non-compliant helmet), Standard Colors.....	4
LFH2120F	American Classic with Flip Down Eye Shields (non-compliant helmet), Natural, Orange and Custom Color.....	4
LFH2120G	Proximity Helmet Ensemble American Classic, Standard Colors.....	7
LFH2120G	Proximity Helmet Ensemble American Classic, Natural, Orange.....	7
LFH2120J	J-FireProximity Helmet Ensemble American Classic, Standard Colors.....	7
LFH2120J	J-FireProximity Helmet Ensemble American Classic, Natural, Orange.....	7
LFH2120S	American Classic with ESS FirePro 1971 Goggles, Standard Colors.....	4
LFH2120S	American Classic with ESS FirePro 1971 Goggles, Natural, Orange and Custom Color.....	4
LFH3910A	Legacy 5 with Spring-Loaded Safety-Set Brackets, WaterGuard Faceshield Seal and 4" Faceshield, Standard Colors.....	6
LFH3910A	Legacy 5 with Spring-Loaded Safety-Set Brackets, WaterGuard Faceshield Seal and 4" Faceshield, Orange, Green and Custom Color.....	6
LFH3910E	Legacy 5 with 4" Faceshield and Plastic Thumbwheel Adjustments, Standard Colors.....	6
LFH3910E	Legacy 5 with 4" Faceshield and Plastic Thumbwheel Adjustments, Orange, Green and Custom Color.....	6
LFH3910G	Proximity Helmet Ensemble Legacy 5, Standard Colors.....	7
LFH3910G	Proximity Helmet Ensemble Legacy 5, Orange, Green.....	7
LFH3910J	J-FireProximity Helmet Ensemble Legacy 5, Standard Colors.....	7
LFH3910J	J-FireProximity Helmet Ensemble Legacy 5, Orange, Green.....	7
LFH3910M	Legacy 5 with 4" Faceshield and Metal Thumbwheel Adjustments, Standard Colors.....	6
LFH3910M	Legacy 5 with 4" Faceshield and Metal Thumbwheel Adjustments, Orange, Green and Custom Color.....	6
LFH3910S	Legacy 5 with ESS FirePro 1971 Goggles, Standard Colors.....	6
LFH3910S	Legacy 5 with ESS FirePro 1971 Goggles, Orange, Green and Custom Color.....	6
LFH3910T	Legacy 5 with 4" Faceshield, Thumbwheel Adjustments and ESS FirePro 1971 Goggles, Standard Colors.....	6
LFH3910T	Legacy 5 with 4" Faceshield, Thumbwheel Adjustments and ESS FirePro 1971 Goggles, Orange, Green and Custom Color.....	6
LFH4000	Impact Cap for American Legend X.....	12
LFH4001	Impact Cap for American Legend.....	12
LFH4120D	American Heritage with ESS FirePro 1971 Goggles and Flip Down Eye Shields, All Colors.....	4
LFH4120E	American Heritage with 4" Faceshield and Thumbwheel Adjustments, All Colors.....	4
LFH4120F	American Heritage with Flip Down Eye Shields (Non-Compliant Helmet), All Colors.....	4
LFH4120S	American Heritage with ESS FirePro 1971 Goggles, All Colors.....	4



Item/Part Number Index

Lot No.	Product	Page #
LFH5100H	Liberator without Eye Protection or Ear Cover, Standard Colors	6
LFH5100H	Liberator without Eye Protection or Ear Cover, Orange, Green and Custom Color	6
LFH5100S	Liberator with ESS FirePro 1971 Goggles and Yellow Nomex Ear Cover, Standard Colors	6
LFH5100S	Liberator with ESS FirePro 1971 Goggles and Yellow Nomex Ear Cover, Orange, Green and Custom Color	6
LFH8120D	American Legend X with ESS FirePro 1971 Goggles and Flip Down Eye Shields, Standard Colors	5
LFH8120E	American Legend X with 4" Faceshield and Metal Thumbwheel Adjustments, Standard Colors	5
LFH8120F	American Legend X with Flip Down Eye Shields (non-compliant helmet), Standard Colors	5
LFH8120S	American Legend X with ESS FirePro 1971 Goggles, Standard Colors	5
LFH835	3M Scotchlite Reflective Material 1" x 4" Bars, Lime-Yellow (Set of 5)	14
LFH891=20	Deluxe ESS FirePro 1971 Goggles Kit with ESS Attachment System	9, 12, 14
LFH9120I	American Legend with Integrated Goggles, Standard Colors	5
LFH915	3M Scotchlite Reflective Material Trapezoids, Lime-Yellow and Silver (Triple Trim) (Set of 8)	9, 12
LFH939	3M Scotchlite Reflective Material Trapezoids, Lime-Yellow (Set of 8)	9, 12
LFH940	3M Scotchlite Reflective Material Trapezoids, Red-Orange (Set of 8)	9, 12
LFH943	3M Scotchlite Reflective Material Trapezoids, Red-Orange and Silver (Triple Trim) (Set of 8)	9, 12
LFH950=10	Ear Covers, Black Nomex, Black Flannel	9, 12, 14
LFH951=10	Ear Covers, Yellow Nomex, Black Flannel	9, 12, 14
LFH952=10	Ear Covers, Black PBI, Black Flannel	9, 12, 14
LFH953=10	Ear Covers, Natural PBI, Black Flannel	9, 12, 14
LFH955=10	Ear Covers, Yellow Nomex with Throatstrap	9, 12, 14
LFH955=20	Ear Covers, Black Nomex with Throatstrap	9, 12, 14
LFH955=30	Ear Covers, Natural PBI with Throatstrap	9, 12, 14
LFH960	Liberator Nomex Four-Point Chinstrap with Postman's Slide	14
LFH961=10	Legacy 5 Quick-Release Chinstrap with Postman's Slide	14
LFH962	American Classic Quick-Release Chinstrap Buckle with Postman's Slide	9
LFH963	American Heritage Quick-Release Chinstrap Buckle with Postman's Slide	9
LFH970G	American Classic and Legacy 5 6" Gold-coated Proximity Faceshield with Thumbwheel	7
LFH974	American Heritage, American Classic, American Legend X and Legacy 5 and 4" Faceshield (Thumbwheels)	9, 12, 14
LFH975	Legacy 5 4" Faceshield (WaterGuard Seal)	14
LFH977	Non-NFPA Flip Down Eye Shields for American Heritage, American Classic and American Legend X	9, 12
LFH978	Thumbwheel Faceshield Bracket Kit has One Set of Screws for American Heritage, American Classic and American Legend X	9, 12
LFH979=10	Plastic Thumbwheel Faceshield Bracket Kit for Legacy 5 and Liberator	14
LFH981=10	WaterGuard Faceshield Bracket Kit for Legacy 5	14
LFH998	Sizing Foam Adjustments (1" x 5" Pads, Quantity 2) for American Heritage and American Classic	10
LS6I=02	American Heritage and American Classic Patent Leather Front (Installed on Helmet) (2 Panel)	10
LS6I=03	American Heritage and American Classic Patent Leather Front (Installed on Helmet) (3 Panel)	10
LS6=02	American Heritage and American Classic Patent Leather Front (Loose) (2 Panel)	10
LS6=03	American Heritage and American Classic Patent Leather Front (Loose) (3 Panel)	10



7200 POE AVENUE, SUITE 400
DAYTON, OHIO 45414 | 800.421.2926
www.lionprotects.com

Put LION's high-performance protective gear to work for you.
Check us out at your local LION dealer:

American Classic fire helmet, American Heritage fire helmet, American Legend fire helmet, LeatherGlas molding process, Legacy 5 fire helmet, LION Helmets, Liberty, Lite-N-Dri, Safety-Set and WaterGuard are tradenames of Lion Group, Inc.

3M and Scotchlite are trademarks of 3M company. PBI is a registered trademark of PBI Performance Products, Inc. Kevlar and Nomex are tradenames of E.I. du Pont de Nemours and Company. RT7100 is a registered trademark of W.L. Gore and Associates, Inc. Aralite is a registered trademark of TenCate Protective Fabrics USA Inc. ESS FirePro 1971 is a trademark of ESS, a Subsidiary of Oakley, Inc.

GET SOCIAL WITH US:



FACEBOOK facebook.com/lionconnects
INSTAGRAM instagram.com/lion_firegear
TWITTER twitter.com/lion_gear
PINTEREST pinterest.com/lionfiregear
YOUTUBE youtube.com/lionconnects



LION
REGISTERED TO ISO 9001
FILE NUMBER 10001779 QM08