

□

115' T-Rex Articulating Platform

Type: T-Rex Articulating Platform

Rosenbauer Truck #: 84847

Availability: Available

Completion Date: 8/31/20

SPECIFICATION OPTIONS

Body/Material:

EXT

Pump Manufacturer:

Rosenbauer

Pump Model/GPM:

N80

Pump Control Panel:

Side

Tank Capacity:

300

Foam System:

Chassis:

RBM Commander

Engine/HP:

Cummins (505)

Rear Axles:

Tandem

Generator:

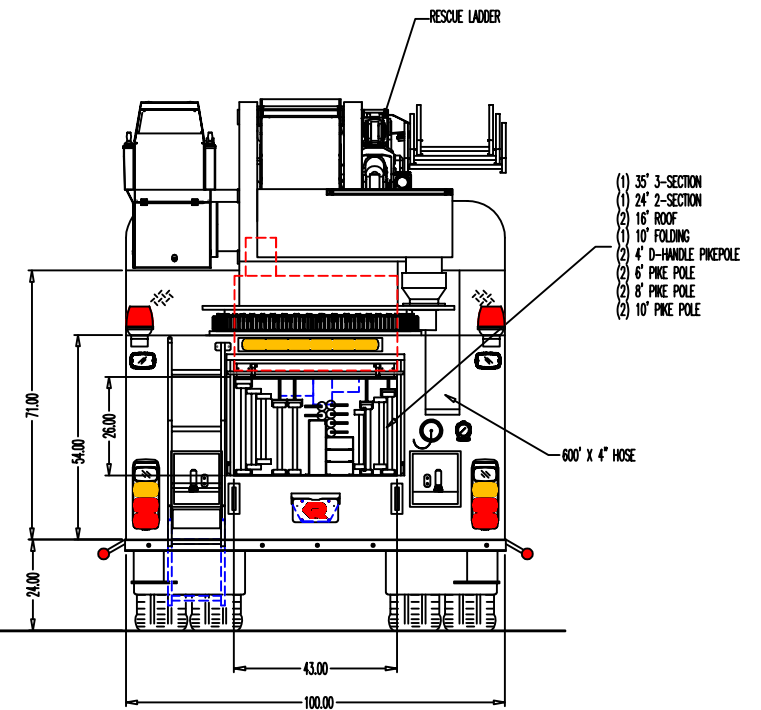
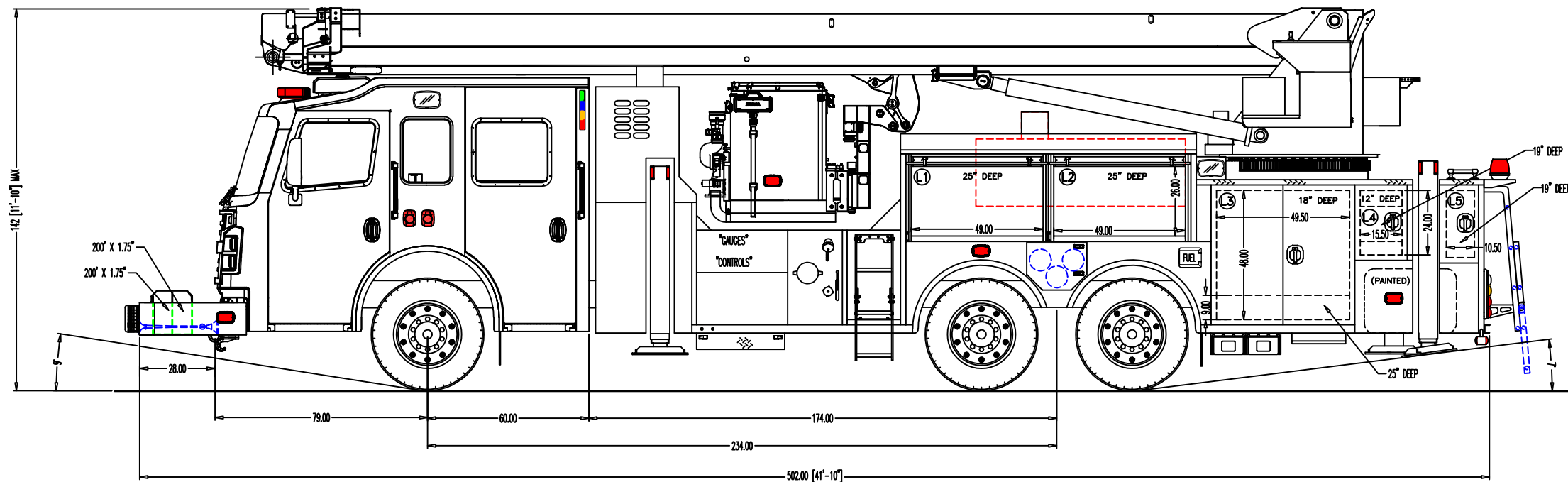
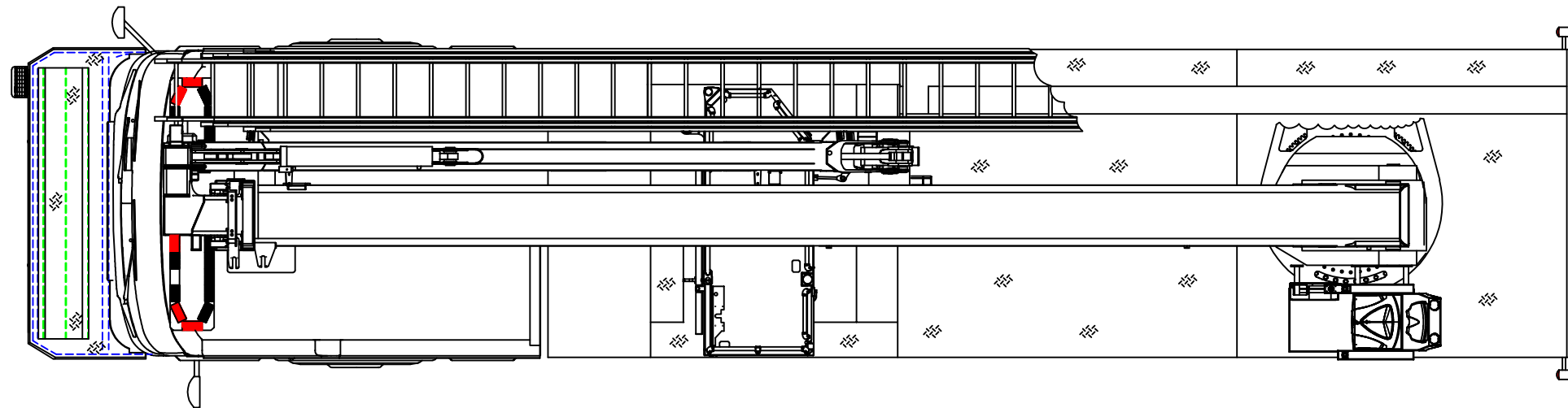
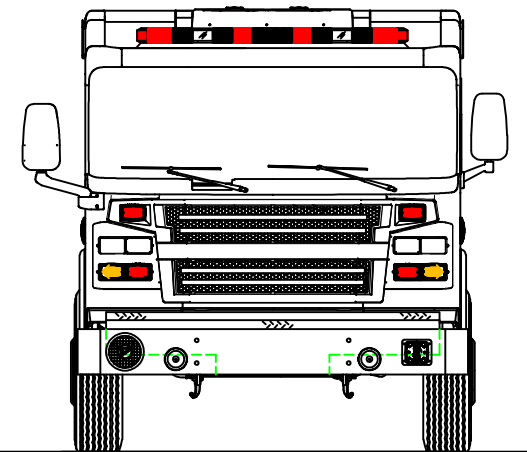
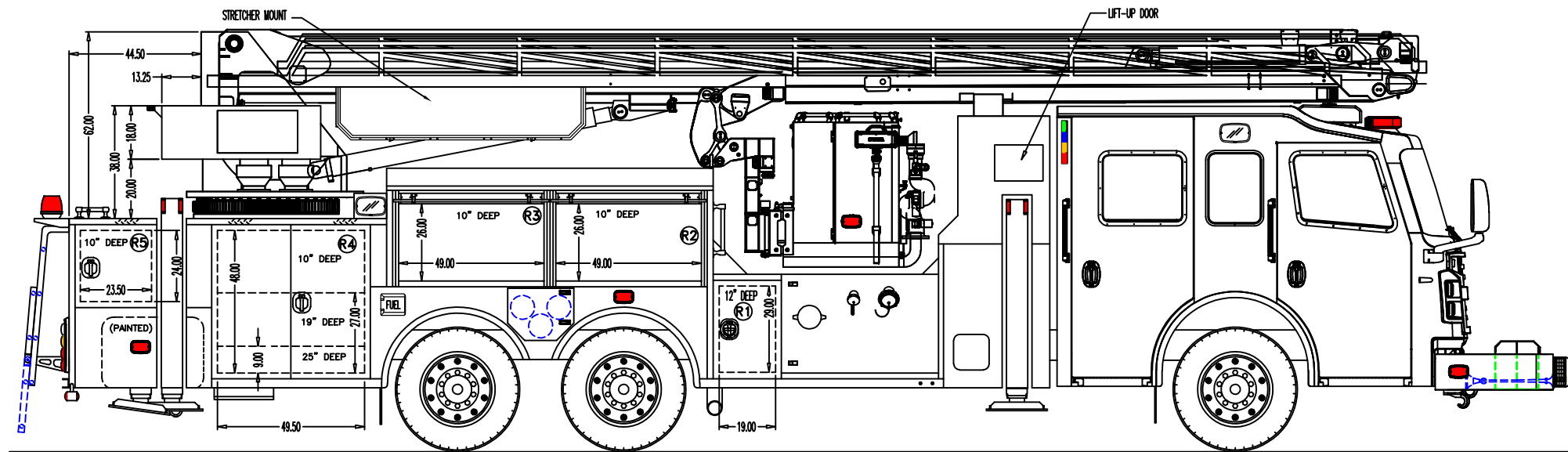
Electrical System:

V-Mux

Warning Lights:

Whelen

For more information contact: sales@rosenbaueramerica.com



-PROPOSED-
RMN T-REX DEMO



ROSENBAUER EXT

P7292 01

- NOTES:
- OVERALL HEIGHT IS IN LOADED CONDITION. UNLOADED HEIGHTS MAY BE 4" ABOVE HEIGHTS SHOWN.
 - DO NOT SCALE DRAWING.
 - ALL DIMENSIONS ARE APPROXIMATE AND SUBJECT TO ENGINEERING CHANGES.
 - DRAWING MAY OR MAY NOT SHOW ALL ITEMS AS DESCRIBED IN THE WRITTEN DETAIL SPECIFICATIONS.
 - INCLUSION OF AN ITEM ON THE DRAWING DOES NOT CONSTITUTE INCLUSION OF THAT ITEM WITH THE FINAL DELIVERED UNIT.

REVISED: TAA	DATE: 12-19-2018 (R-00)
REVISED: GNL	DATE: 11-07-2018 (R-04)
REVISED: AHS	DATE: 02-22-2019 (R-03)
DRAWN: TAA	DATE: 04-12-2018 (P6901-04)

PROPRIETARY AND CONFIDENTIAL
THE INFORMATION CONTAINED IN THIS DRAWING IS
THE SOLE PROPERTY OF ROSENBAUER. ANY
REPRODUCTION IN PART OR AS A WHOLE WITHOUT
THE WRITTEN PERMISSION OF ROSENBAUER IS
PROHIBITED.

APPROVED BY:

MAXIMUM HEIGHT	-
MAXIMUM LENGTH	-
BODY WIDTH	100"

CHASSIS: ROSENBAUER R6008
PUMP: ROSENBAUER N80 2000 GPM
TANK: POLY/ 300
TYPE: AERIAL PLATFORM
AERIAL: T-REX



AUTOMOTIVE FIRE APPARATUS CERTIFICATE OF INSPECTION FOR FIRE PUMP SYSTEMS

FIRE EQUIPMENT SERVICES

This is to certify that UL inspected and tested the below apparatus to the certification requirements in Section 16.13.1 of NFPA 1901, Standard for Automotive Fire Apparatus, 2016 Edition.

Certificate No.:	84847	Test Date:	08 July 2020
Date of Issue:	00 January 1900	Owner/Destination:	TREX DEMO
Manufacturer:	ROSENBAUER MINNESOTA, LLC.	Year of Mfr.:	2020
Mfr. Model:	AERIAL	Mfr. Serial No.:	84847

Chassis Manufacturer	Model Number	Serial Number
ROSENBAUER MOTORS LLC	COMMANDER	54F3JF61XLWM12590
Engine Manufacturer	Model Number	Serial Number
CUMMINS	ISX	80228752
Transmission Manufacturer	Model Number	Serial Number
ALLISON	4000	6610576471
Pump Manufacturer	Model Number	Serial Number
HALE	8FGR200-19R	H24509
TEST CONDITION		
Barometric Pressure (Hg) Corrected to Sea Level*	Air Temp Before (F)*	Air Temp After (F)*
29.8	74	87
	Pump Elevation Above Water Source (Ft)	Test Site Elevation (Ft)
	5	902
Rated Capacity	Pump Stage	Water Temp. Before (F) *
2000	Single Stage	94
	Suction Hose Number	Water Temp. After (F) *
	Hose 1	106
Pump Gear Ratio	Pump Location	Suction Hose Size (In)
1 : 1.86	Midship	6
		20
		20
		N/A
		N/A
TEST RESULTS	Pump Control Position	Flow (GPM)
100% Capacity 150 PSI	Single Stage	2006
Overload 165 PSI	Single Stage	148
70% Capacity 200 PSI	Single Stage	2006
50% Capacity 250 PSI	Single Stage	164
		1401
		200
		249
		2.6
		251
		3379
		1817
Auto. Pressure Control Max Increase PSI	10	Vacuum: inHg Drop in 5 Minutes Intakes Open
		0.4
		Vacuum: inHg Drop in 5 Minutes Intakes Closed
		0.2
Water Tank Capacity (Gallons)	300	Gallons Discharged
		299
		Tank Flowed at (GPM)
		252
		Time To Prime (Sec):
		33

Engine No-Load Governed Speed: 2130 rpm
 Pressure Gauge Accuracy Test: Passed
 Engine Speed Advancement Interlock Test: Pass

Mfr. Rated No-Load Governed Speed: 2130 rpm
 Flow Meter Accuracy Test: Passed

*Readings for reference only

Remarks:

**For annual in-service testing of your aerial device, ground ladders and pumps, please contact
UL at 1-877-UL HELPS (877-854-3577)**

Not Valid Unless Signed


 Patrick Ginnaty-Moore
 UL





AUTOMOTIVE FIRE APPARATUS CERTIFICATE OF INSPECTION FOR LINE VOLTAGE ELECTRICAL SYSTEMS

FIRE EQUIPMENT SERVICES

This is to certify that UL inspected and tested the below apparatus to the certification requirements in Section 22.15.7 of NFPA 1901, Standard for Automotive Fire Apparatus, 2016 Edition.

Certificate No.: 84847	Test Date: 08 July 2020
Date of Issue: 0 January 1900	
Owner/Destination: TRENKLE DEMO	
Manufacturer: ROSENBAUER MINNESOTA, LLC.	Year of Mfr.: 2020
Mfr. Model: AERIAL	Mfr. Serial No.: 84847

Chassis Manufacturer	Model Number	Serial Number
ROSENBAUER MOTORS LLC	COMMANDER	54F3JF61XLWM12590
Engine Manufacturer	Model Number	Serial Number
CUMMINS	ISX	80228752
Transmission Manufacturer	Model Number	Serial Number
ALLISON	4000	6610576471
Generator Manufacturer	Model Number	Serial Number
ONAN	6RBAB-2010D	B200732658
Generator Type	Rated Output (KW)	
SINGLE PHASE HYDRAULIC	6	

Remarks:

**For annual in-service testing of your aerial device, ground ladders and pumps, please contact
UL at 1-877-UL HELPS (877-854-3577)**

Not Valid Unless Signed

Patrick Ginnaty-Moore
Patrick Ginnaty-Moore
UL





AUTOMOTIVE FIRE APPARATUS CERTIFICATE OF INSPECTION FOR LOW VOLTAGE ELECTRICAL SYSTEMS

FIRE EQUIPMENT SERVICES

This is to certify that UL inspected and tested the below apparatus to the certification requirements in Section 13.14.1 of NFPA 1901, Standard for Automotive Fire Apparatus, 2016 Edition.

Certificate No.: 84847	Test Date: 08 July 2020
Date of Issue: 0 January 1900	
Owner/Destination: TREX DEMO	
Manufacturer: ROSENBAUER MINNESOTA, LLC.	Year of Mfr.: 2020
Mfr. Model: AERIAL	Mfr. Serial No.: 84847

Chassis Manufacturer	Model Number	Serial Number
ROSENBAUER MOTORS LLC	COMMANDER	54F3JF61XLWM12590
Engine Manufacturer	Model Number	Serial Number
CUMMINS	ISX	80228752
Transmission Manufacturer	Model Number	Serial Number
ALLISON	4000	6610576471

Remarks:

**For annual in-service testing of your aerial device, ground ladders and pumps, please contact
UL at 1-877-UL HELPS (877-854-3577)**

Not Valid Unless Signed


Patrick Ginnaty-Moore
UL



PETERSON'S NORTH BRANCH MILL, INC.
North Branch, MN — Phone (651) 674-4425

TICKET NO.

DATE

DRIVER: ON OFF

F 24,000
B 63,000
G 87,000

MATERIAL

GROSS

20520 1b 12:17 PM 07/16/20

TARE

53040 1b 12:18 PM 07/16/20

NET

74000 1b 12:18 PM 07/16/20

STORE

CONTRACT

SELL

PRICE LATER

WEIGHED FOR

84847 T Rex Demo

Full Water Full Foam

REMARKS

Full Fuel

PRICE

WEIGHER

Scott M

THIS IS A MEMORANDUM, Non-Negotiable, possession of which does not signify that settlement has or has not been consummated. M.S. Section 232.23.

107

KEMSKE PAPER CO., NEW ULM, MN (WATS 800-782-3532) ☐

PETERSON'S NORTH BRANCH MILL, INC.
North Branch, MN — Phone (651) 674-4425

TICKET NO.

DATE

DRIVER: ON OFF

MATERIAL

GROSS

20740 1b 12:38 PM 07/16/20

TARE

50300 1b 12:40 PM 07/16/20

NET

71340 1b 12:39 PM 07/16/20

STORE

CONTRACT

SELL

PRICE LATER

WEIGHED FOR

84847 T Rex Demo

Empty Water Empty Foam

REMARKS

Full Full

PRICE

WEIGHER

Scott M

THIS IS A MEMORANDUM, Non-Negotiable, possession of which does not signify that settlement has or has not been consummated. M.S. Section 232.23.

107

KEMSKE PAPER CO., NEW ULM, MN (WATS 800-782-3532) ☐