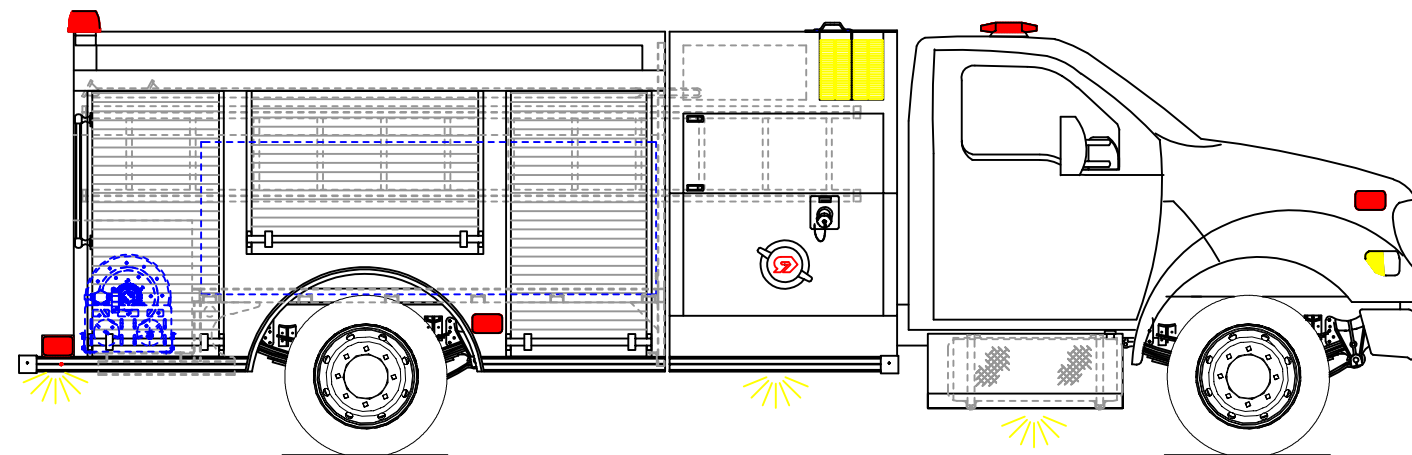
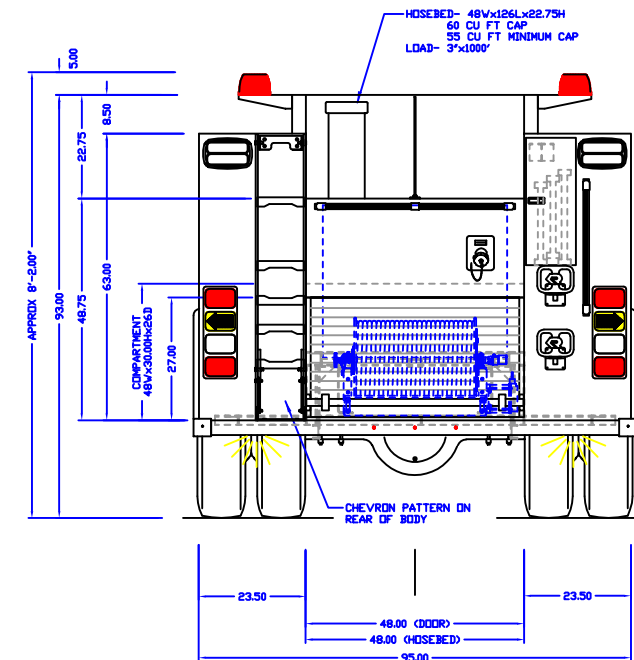
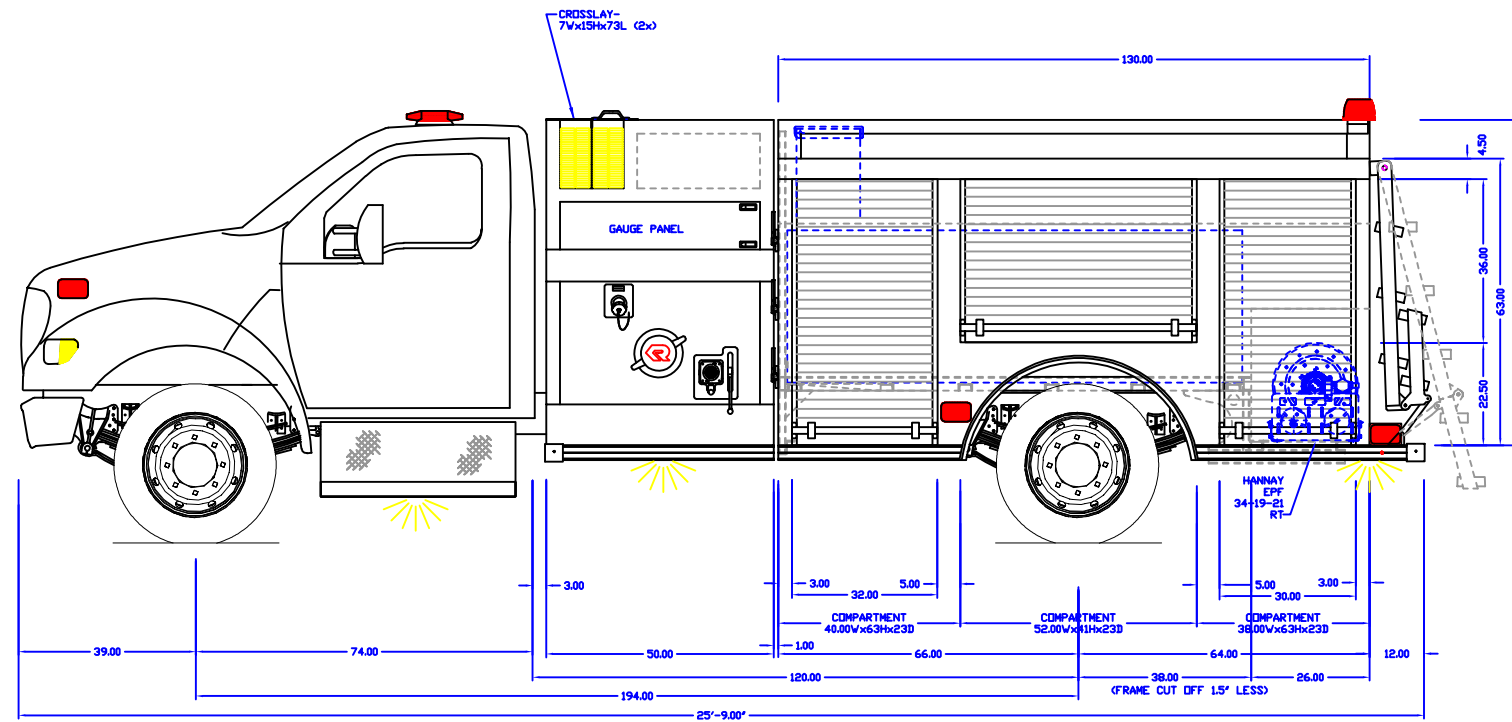


- NOTES:
1. OVERALL HEIGHT IS IN LOADED CONDITION. UNLOADED HEIGHTS MAY BE 4" ABOVE HEIGHTS SHOWN.
  2. DO NOT SCALE DRAWING.
  3. ALL DIMENSIONS ARE APPROXIMATE AND SUBJECT TO ENGINEERING CHANGES.
  4. DRAWING MAY OR MAY NOT SHOW ALL ITEMS AS DESCRIBED IN THE WRITTEN DETAIL SPECIFICATIONS.
  5. INCLUSION OF AN ITEM ON THE DRAWING DOES NOT CONSTITUTE INCLUSION OF THAT ITEM WITH THE FINAL DELIVERED UNIT.
  6. THE EFFECTIVE DOOR OPENINGS WILL BE APPROX. 2" LESS THAN THE NOTED COMPARTMENT OPENING FOR ROLL UP DOORS AND UP TO APPROX. 4" LESS FOR HINGED DOORS



**NON STANDARD BODY DROP**

APPROVED BY:

CHASSIS: FORD 650 2DR

PUMP: ROSENBAUER 750 GPM

TANK: POLY/500

PANEL MATL: LINE X

COMP INTERIOR: SPATTER PAINTED

MAXIMUM HEIGHT NONE

MAXIMUM LENGTH NONE

BODY WIDTH 95"

REVISED: - DATE: -  
DRAWN: BVZ DATE: 6/12/20

PROPRIETARY AND CONFIDENTIAL  
THE INFORMATION CONTAINED IN THIS DRAWING IS  
THE SOLE PROPERTY OF ROSENBAUER. ANY  
REPRODUCTION IN PART OR AS A WHOLE WITHOUT  
THE WRITTEN PERMISSION OF ROSENBAUER IS  
PROHIBITED.

**BRAZORIA CO.  
ESD, TX**



ROSENBAUER FX 1/8"

DRAWING NUMBER: BRAZORIA CO. ESD, TX REV: -