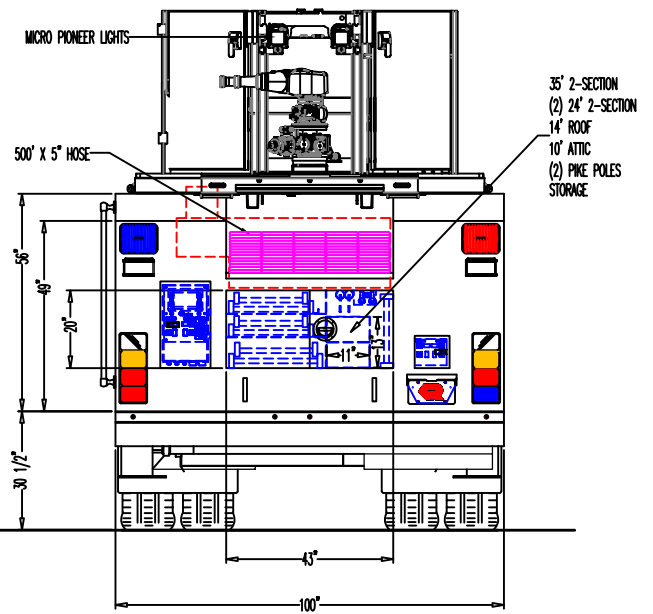
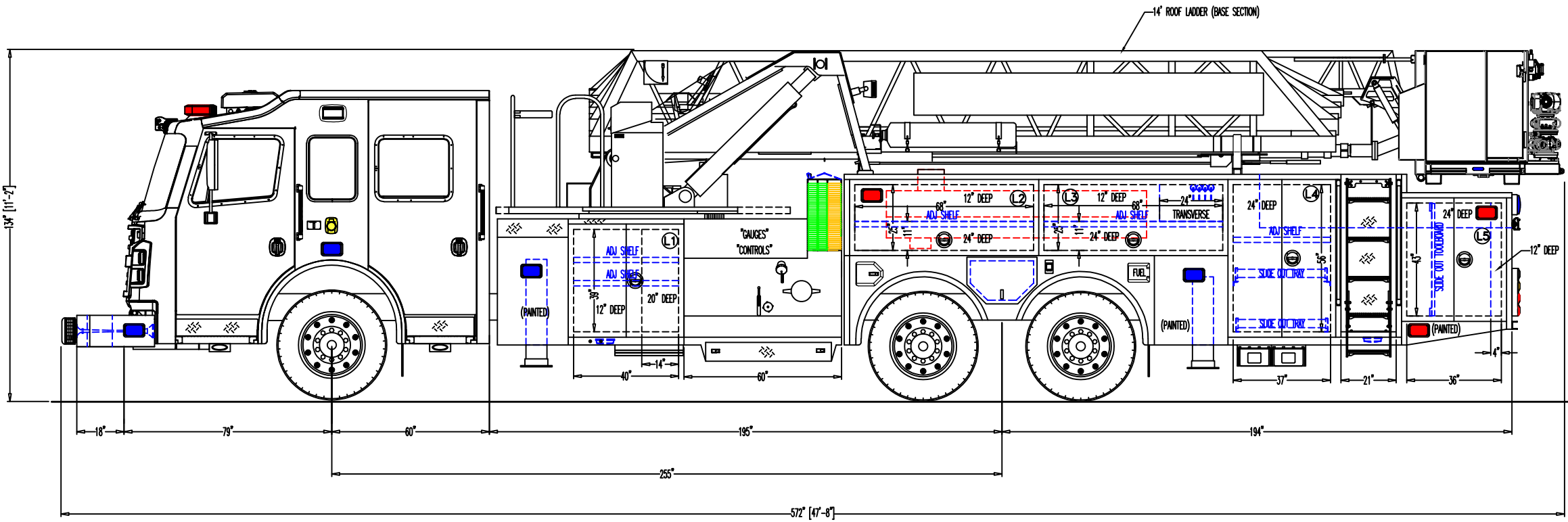
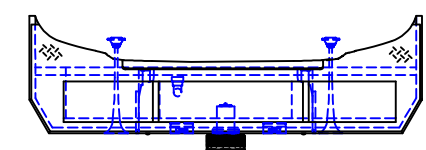


150' X 1.75\"/>



- NOTES:
1. OVERALL HEIGHT IS IN LOADED CONDITION. UNLOADED HEIGHTS MAY BE 4" ABOVE HEIGHTS SHOWN.
 2. DO NOT SCALE DRAWING.
 3. ALL DIMENSIONS ARE APPROXIMATE AND SUBJECT TO ENGINEERING CHANGES.
 4. DRAWING MAY OR MAY NOT SHOW ALL ITEMS AS DESCRIBED IN THE WRITTEN DETAIL SPECIFICATIONS.
 5. INCLUSION OF AN ITEM ON THE DRAWING DOES NOT CONSTITUTE INCLUSION OF THAT ITEM WITH THE FINAL DELIVERED UNIT.

REVIS: - DATE: -
 REVIS: - DATE: -
 REVIS: JMV DATE: 12-06-2021 (R-02)
 DRAWN: CRL DATE: 05-05-2020 (P7591-01)

PROPRIETARY AND CONFIDENTIAL
 THE INFORMATION CONTAINED IN THIS DRAWING IS THE SOLE PROPERTY OF ROSEBAUER. ANY REPRODUCTION IN PART OR AS A WHOLE WITHOUT THE WRITTEN PERMISSION OF ROSEBAUER IS PROHIBITED.

APPROVED BY:		CHASSIS: ROSENBAUER R6011
		PUMP: HALE QMAX-XS 2000 GPM
MAXIMUM HEIGHT	N/A	TANK: POLY 300 GAL.
MAXIMUM LENGTH	N/A	TYPE: PUMPER
BODY WIDTH	100"	AERIAL: 100' MIDMOUNT PLATFORM

RMN 100' DEMO



ROSENBAUER EXT

DRAWING NUMBER 75065 DRAWING NUMBER P7673 REV 02